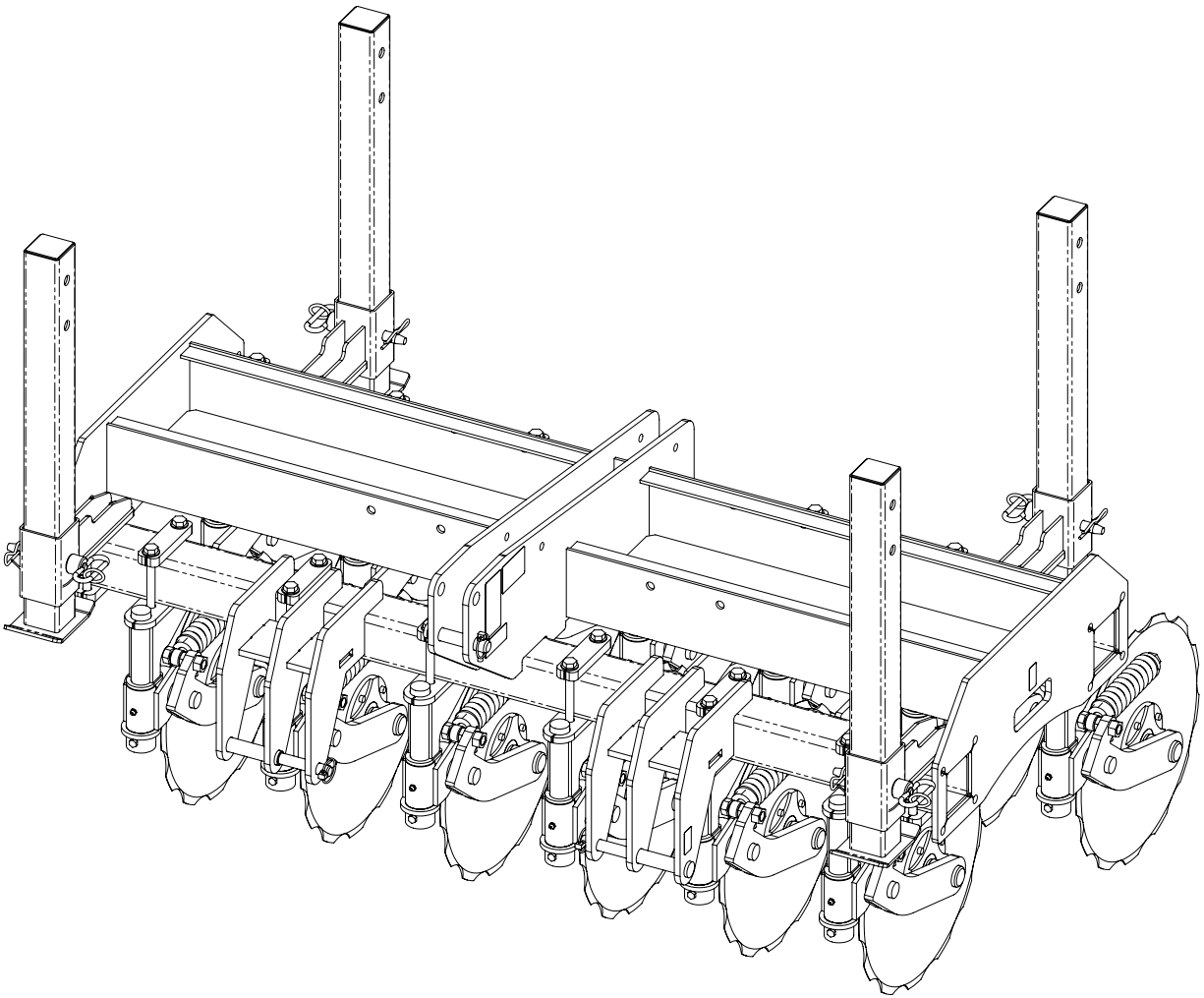


# **BURCHLAND**

# **SCX**

## **STRAW CRIMPER**



## **PARTS BOOK**

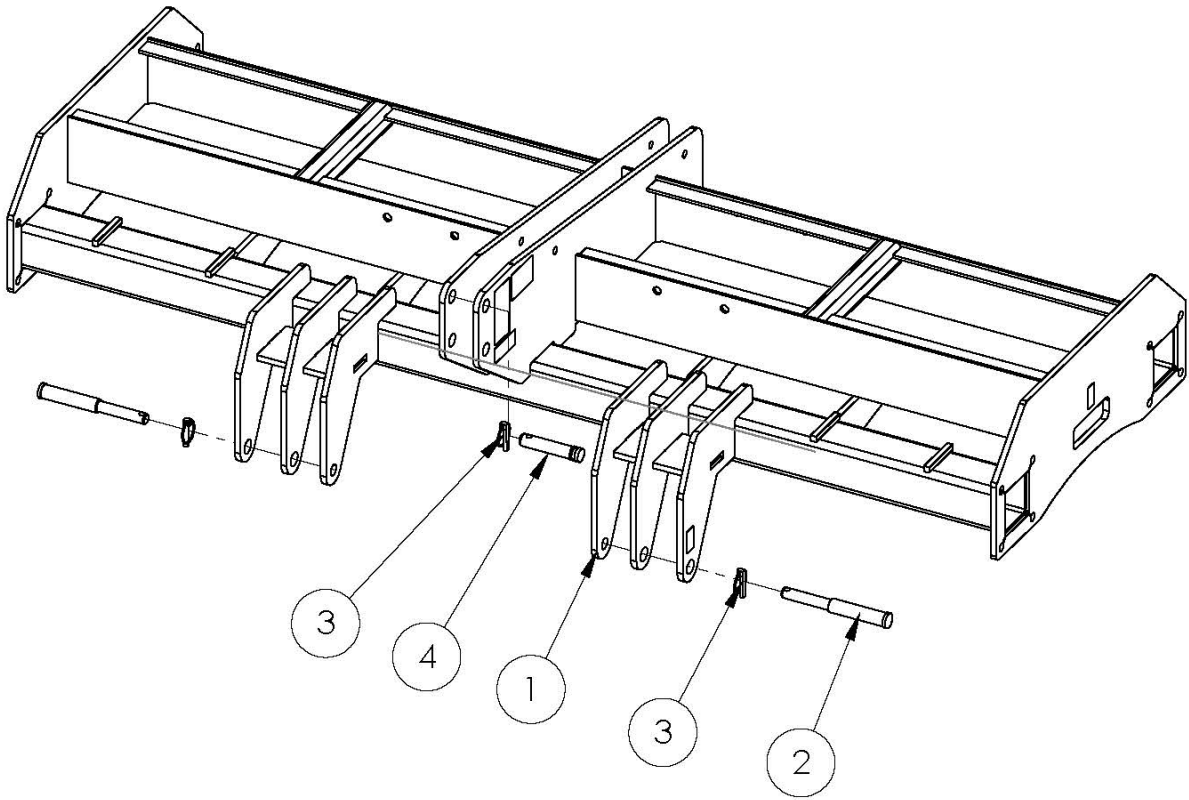
## ***Straw Crimper - Table of Contents***

---

<b>1. Frame Assemblies .....</b>	<b>3-5</b>
1.1 Frame Assembly, 88" - (Hitch Cat. 1, 2N, 2, 3N) .....	3
1.2 Frame Assembly, 76.5" - (Hitch Cat. 1, 2N, 2, 3N) .....	4
1.3 Frame Assembly, 88" - (Hitch Cat. 2, 3N, 3).....	5
<b>2. Disk Assemblies .....</b>	<b>6-9</b>
2.1 Disk Mount Assembly, 2 Bolts .....	6
2.2 Disk Mount Assembly, 4 Bolts .....	7
2.3 Disk Hub Assembly .....	8-9
<b>3. Leg Assemblies .....</b>	<b>10-11</b>
3.1 Leg Assembly, Front.....	10
3.2 Leg Assembly, Rear.....	11
<b>4. Frame Extensions.....</b>	<b>12-13</b>
4.1 Frame Extensions, Single .....	12
4.2 Frame Extensions, Double.....	13
<b>5. Wing Assemblies .....</b>	<b>14-22</b>
5.1 Wing Assembly, 12' Wide, 6" Spacing .....	14-15
5.2 Wing Assembly, 12' Wide, 8" Spacing .....	16-17
5.3 Wing Assembly, 16' Wide, 6" Spacing .....	18-19
5.4 Wing Assembly, 16' Wide, 8" Spacing .....	20-21
5.5 Wing Assemblies' Hydraulics .....	22
<b>6. Extras.....</b>	<b>23-32</b>
6.1 Skid Steer Mounts .....	23
6.2 Tongue and Wheel Kits .....	24-25
6.3 Tongue Assembly .....	26
6.4 Wheel Assemblies' Hydraulics .....	27
6.5 Wheel Assembly, Single .....	28-29
6.6 Wheel Assembly, Double .....	30-31
6.7 Fork Pockets .....	32

# Frame Assembly, 88" - 14781

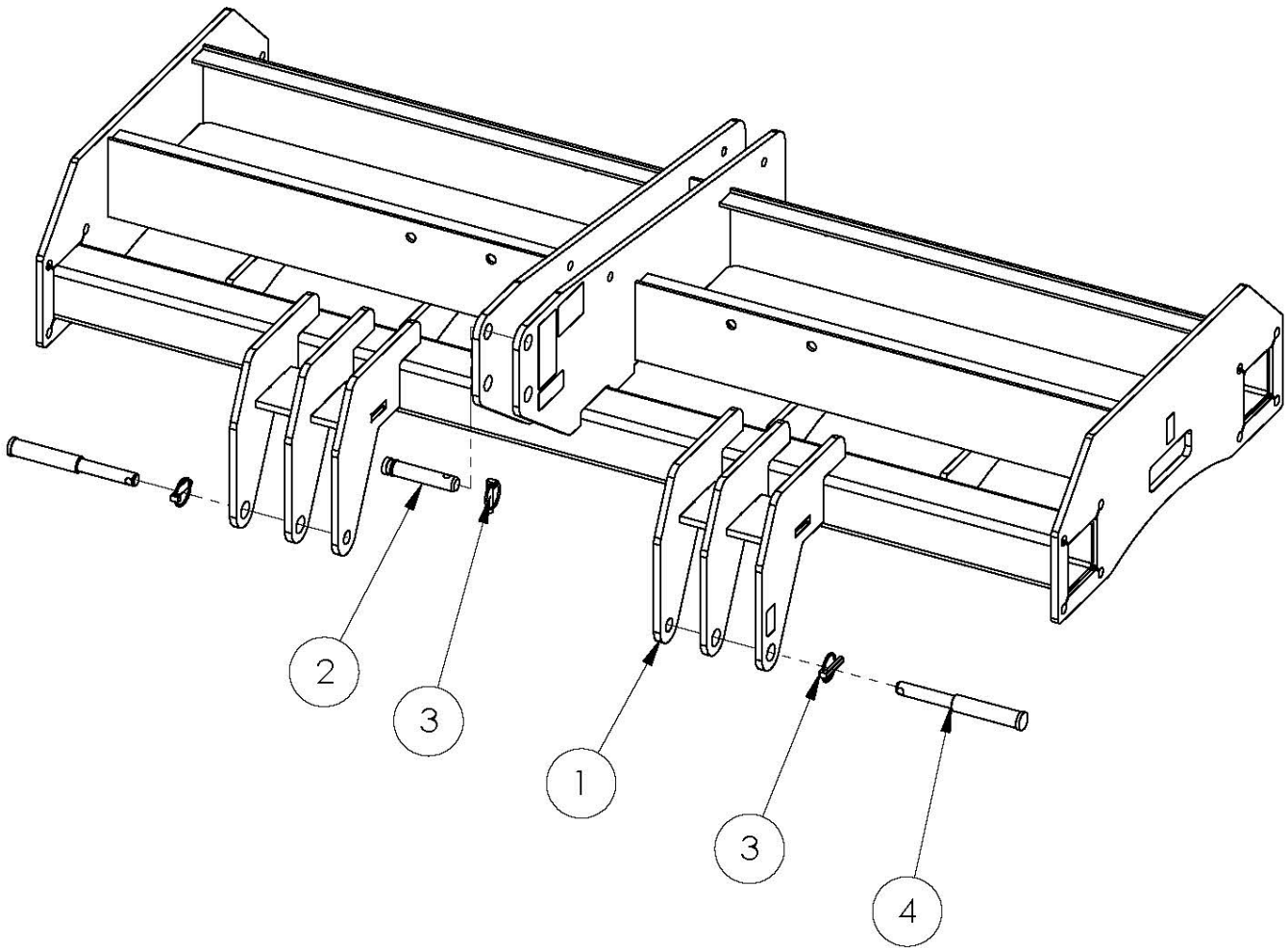
Hitch Categories - 1, 2N, 2, 3N



ITEM NO.	PART NUMBER	DESCRIPTION	QTY.
1	18900	STRAW CRIMPER FRAME, 88"	1
2	10416	PIN, LOWER 3-POINT	2
3	10123	LINCH PIN, 7/16	3
4	10121	PIN - CAT II TOP, 3 POINT	1

# Frame Assembly, 76.5" - 14785

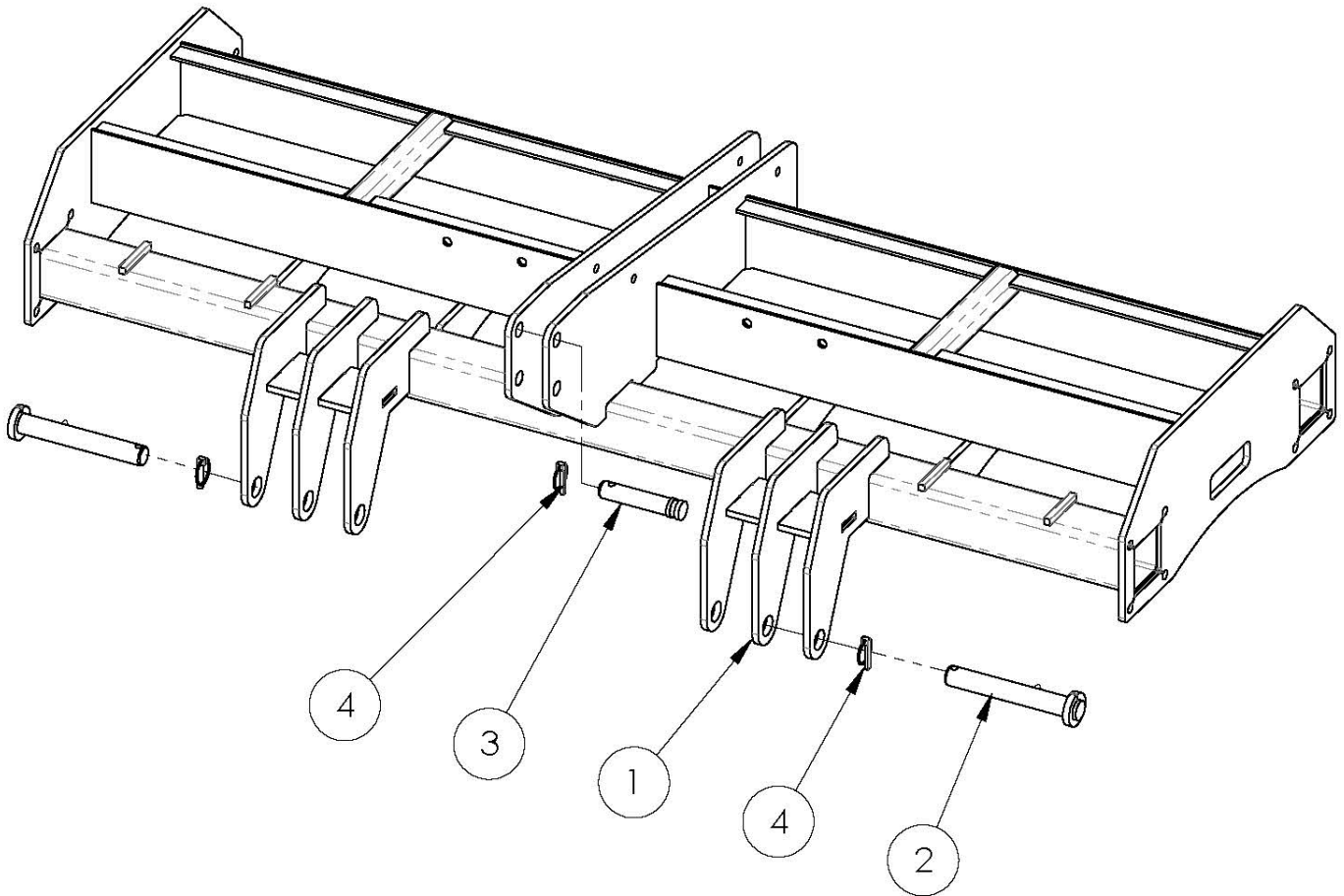
Hitch Categories - 1, 2N, 2, 3N



ITEM NO.	PART NUMBER	DESCRIPTION	QTY.
1	18910	STRAW CRIMPER FRAME, 76.5"	1
2	10121	PIN - CAT II TOP, 3 POINT	1
3	10123	LINCH PIN, 7/16	3
4	10416	PIN, LOWER 3-POINT	2

# Frame Assembly, 88" - 16641

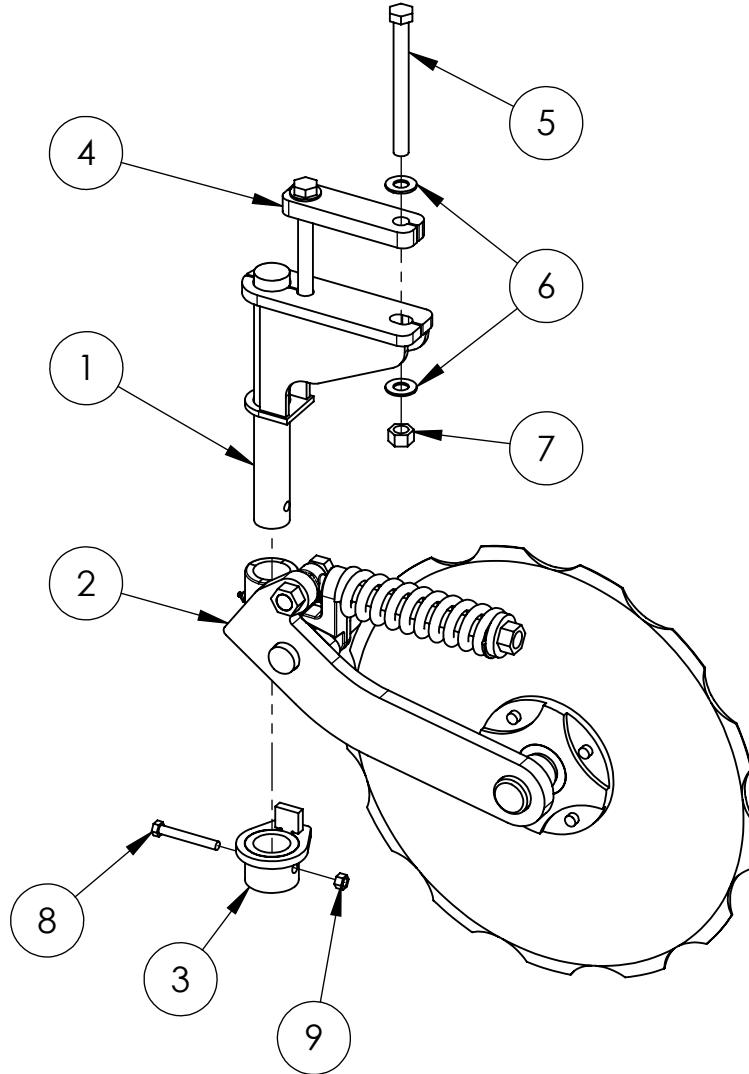
Hitch Categories - 2, 3N, 3



ITEM NO.	PART NUMBER	DESCRIPTION	QTY.
1	18915	SCX FRAME, 88", CAT 3	1
2	17951	PIN, 1.44" X 9", CAT 3 LOWER	2
3	16638	PIN, CAT 3 TOP 3-POINT	1
4	10123	LINCH PIN, 7/16	3

## Disk Mount Assembly, 2 Bolts - 18250

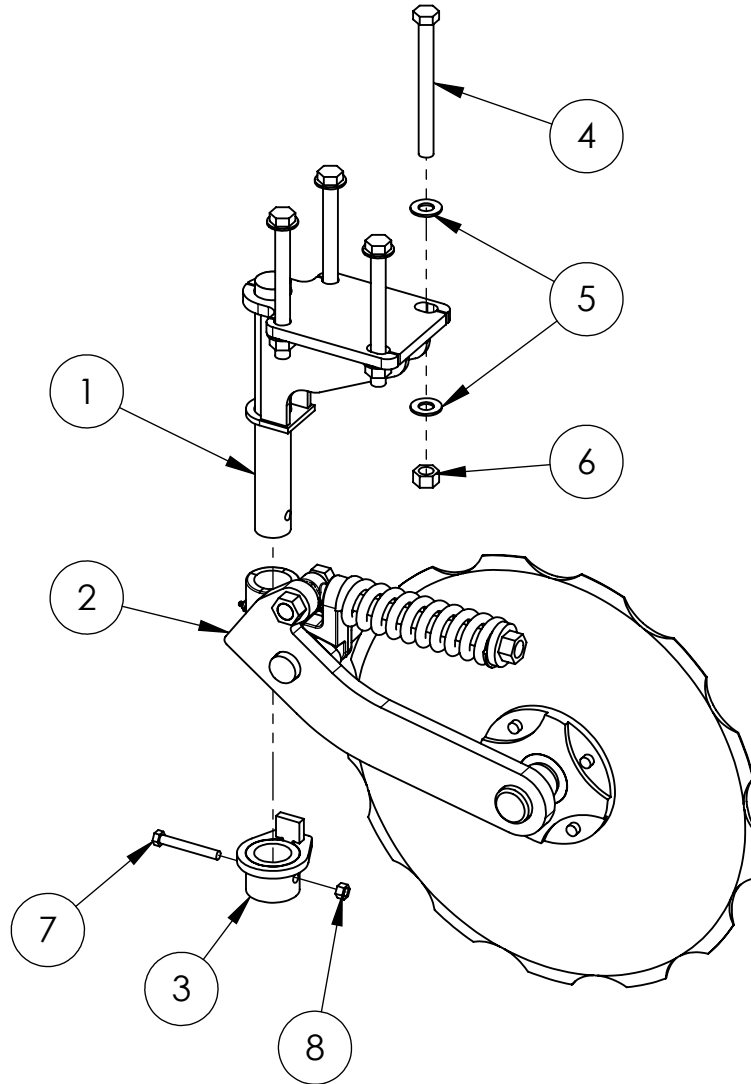
---



ITEM NO.	PART NUMBER	DESCRIPTION	QTY.
1	14930	COULTER MOUNT BRACKET	1
2	18256	SCX COULTER ASSEMBLY	1
3	18257	COULTER STOP, SCX	1
4	14859	PLATE, COULTER MOUNT	1
5	14820	BOLT, 5/8-11 X 6.5 GR8 ZY	2
6	10104	WASHER, 5/8 GR8 ZY	4
7	11122	NUT, 5/8-11 SLTL GR8 ZY	2
8	10959	BOLT, 3/8-16 X 2.75 GR8 ZY	1
9	10947	NUT, 3/8-16 SLTL GR8 ZY	1

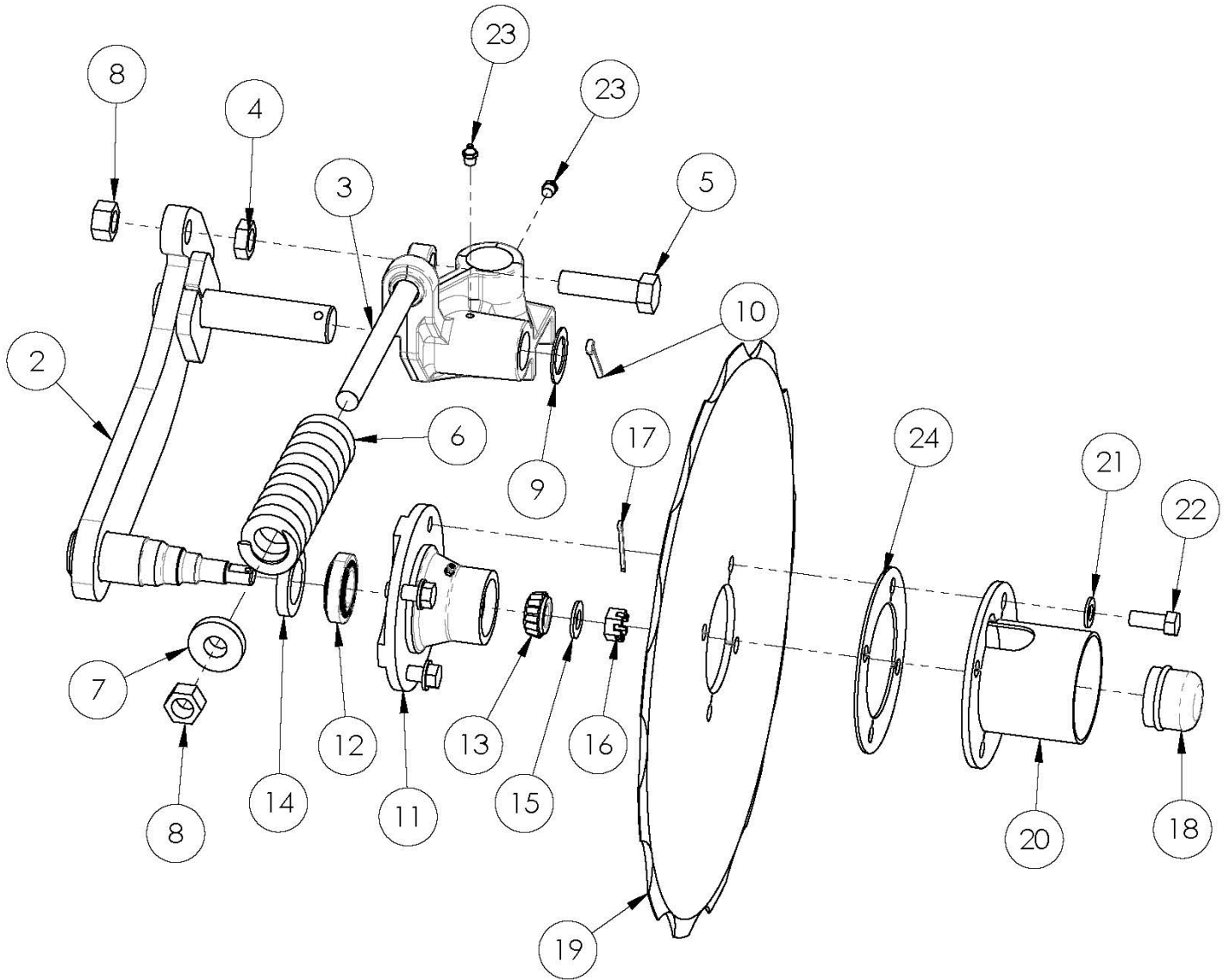
## Disk Mount Assembly, 4 Bolts - 18251

---



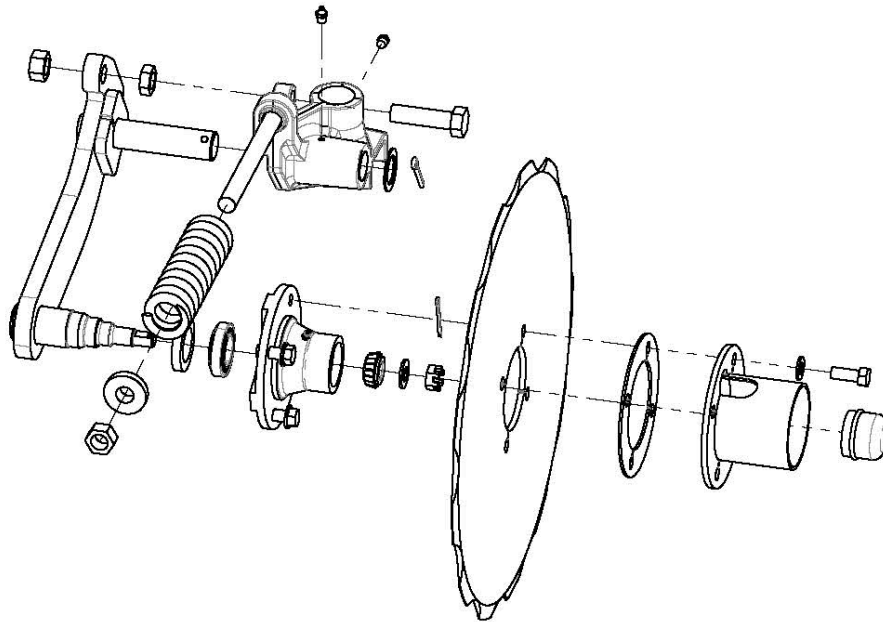
ITEM NO.	PART NUMBER	DESCRIPTION	QTY.
1	15051	COULTER MOUNT BRACKET	1
2	18256	SCX COULTER ASSEMBLY	1
3	18257	COULTER STOP, SCX	1
4	14820	BOLT, 5/8-11 X 6.5 GR8 ZY	4
5	10104	WASHER, 5/8 GR8 ZY	8
6	11122	NUT, 5/8-11 SLTL GR8 ZY	4
7	10959	BOLT, 3/8-16 X 2.75 GR8 ZY	1
8	10947	NUT, 3/8-16 SLTL GR8 ZY	1

# Disk Hub Assembly - 18256





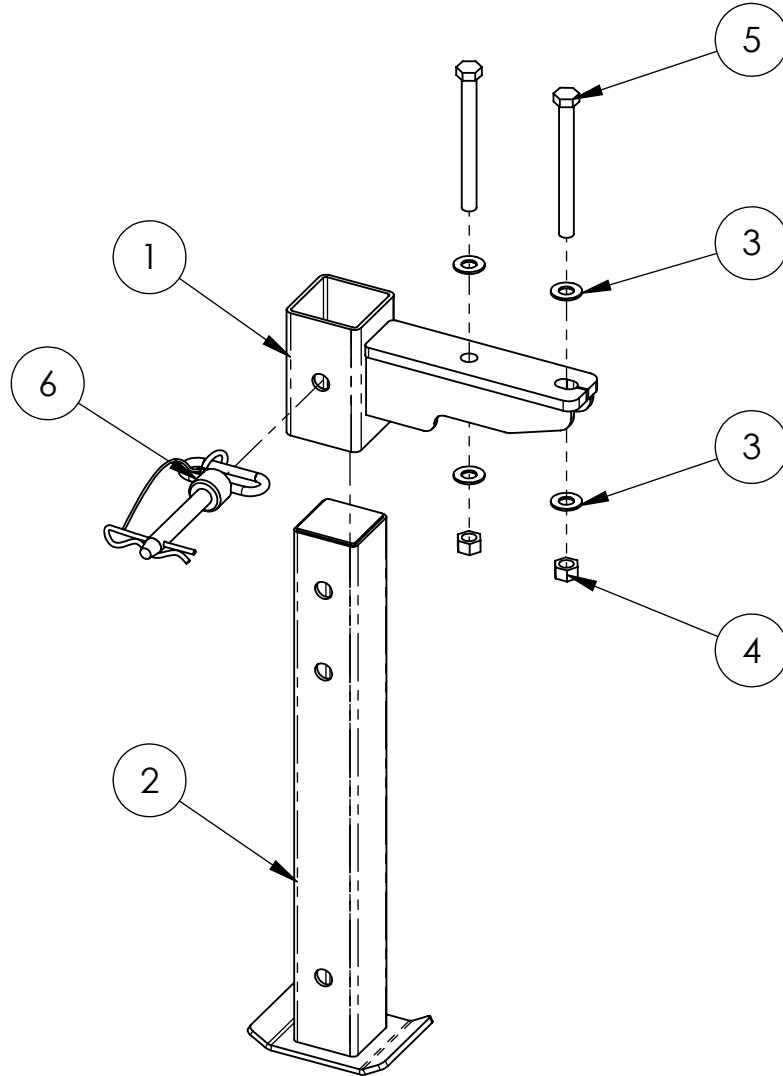
## Disk Hub Assembly - 18256 (continued)



ITEM NO.	PART NUMBER	DESCRIPTION	QTY.
1	15115	COULTER SWIVEL BRACKET	1
2	13117	BRACKET, COULTER ARM	1
3	10438	COULTER SPRING ROD	1
4	11204	NUT - 3/4-10 GR8 JAM ZY	1
5	10108	BOLT, 3/4-10 X 2.75 GR8 ZY	1
6	10468	SPRING, COULTER ARM	1
7	10469	BUSHING - SPRING TENSION	1
8	10106	NUT - 3/4-10 GR8 TL ZY	2
9	10470	WASHER, 1.27 ID X 1.88 OD	1
10	10471	COTTER PIN, 1/4 X 1 3/4	1
11	12621	HUB, 4 BOLT, 5" W/ CUPS	1
12	12718	BEARING CONE, 1.25" LM67048	1
13	12713	BEARING CONE, .75"	1
14	12714	SEAL, 2.328 X 1.50 X .390	1
15	14414	PLATE, WASHER 669 SPINDLE	1
16	12716	NUT, SLOTTED HEX, 5/8-18	1
17	10963	COTTER PIN, 1/8 X 1.75	1
18	12715	HUB CAP, N669 HUB	1
19	13340	BLADE, STRAW CRIMPER 20 OD	1
20	11738	HUB CAP GUARD	1
21	10062	WASHER, 1/2 SAE GR8 ZY	4
22	12165	BOLT, 1/2-20 X 1.25 GR8 ZY	4
23	10434	GREASE ZERK, 1/8 NPT ST.	2
24	18752	PLATE, HUB CAP SPACER	1

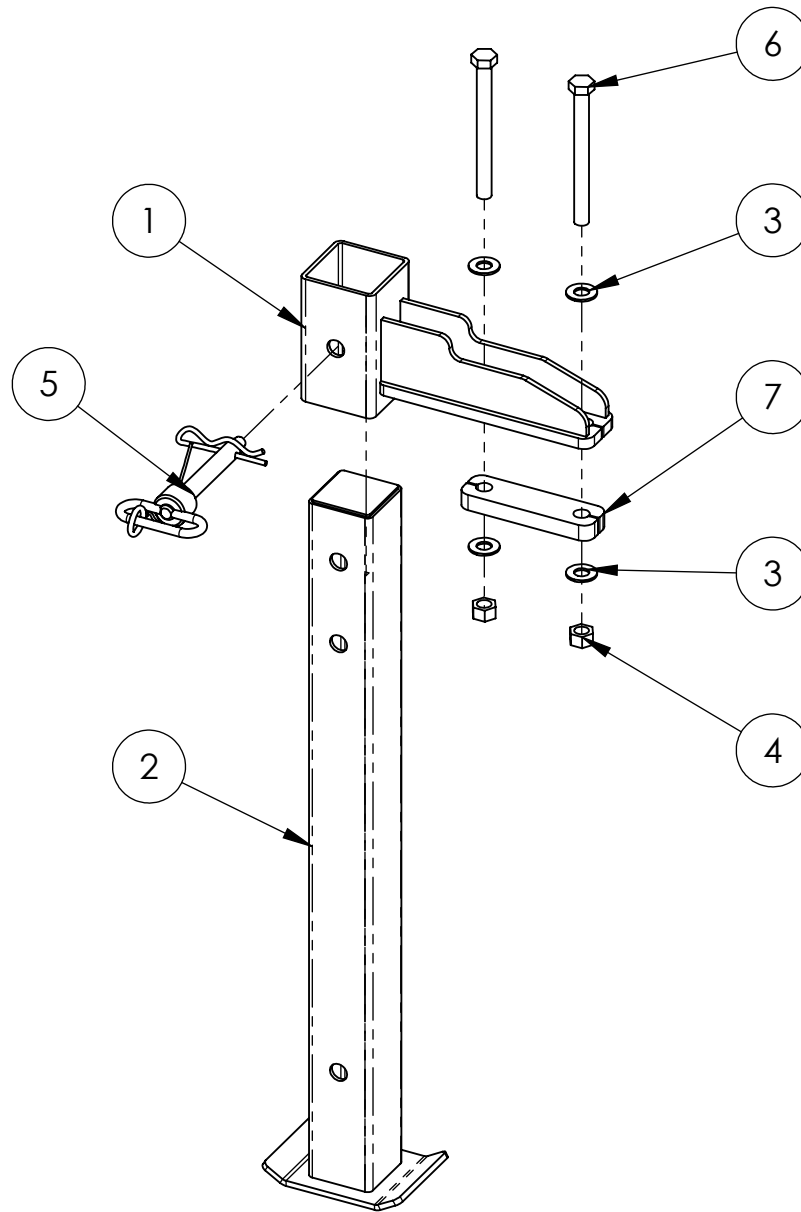
## Leg Assembly, Front - 14817

---



ITEM NO.	PART NUMBER	DESCRIPTION	QTY.
1	14854	LEG MOUNT BRACKET	1
2	14863	LEG, STRAW CRIMPER	1
3	10104	WASHER, 5/8 GR8 ZY	4
4	11122	NUT, 5/8-11 SLTL GR8 ZY	2
5	14820	BOLT, 5/8-11 X 6.5 GR8 ZY	2
6	12077	PIN, W/LANYARD, 3/4" X 4"	1

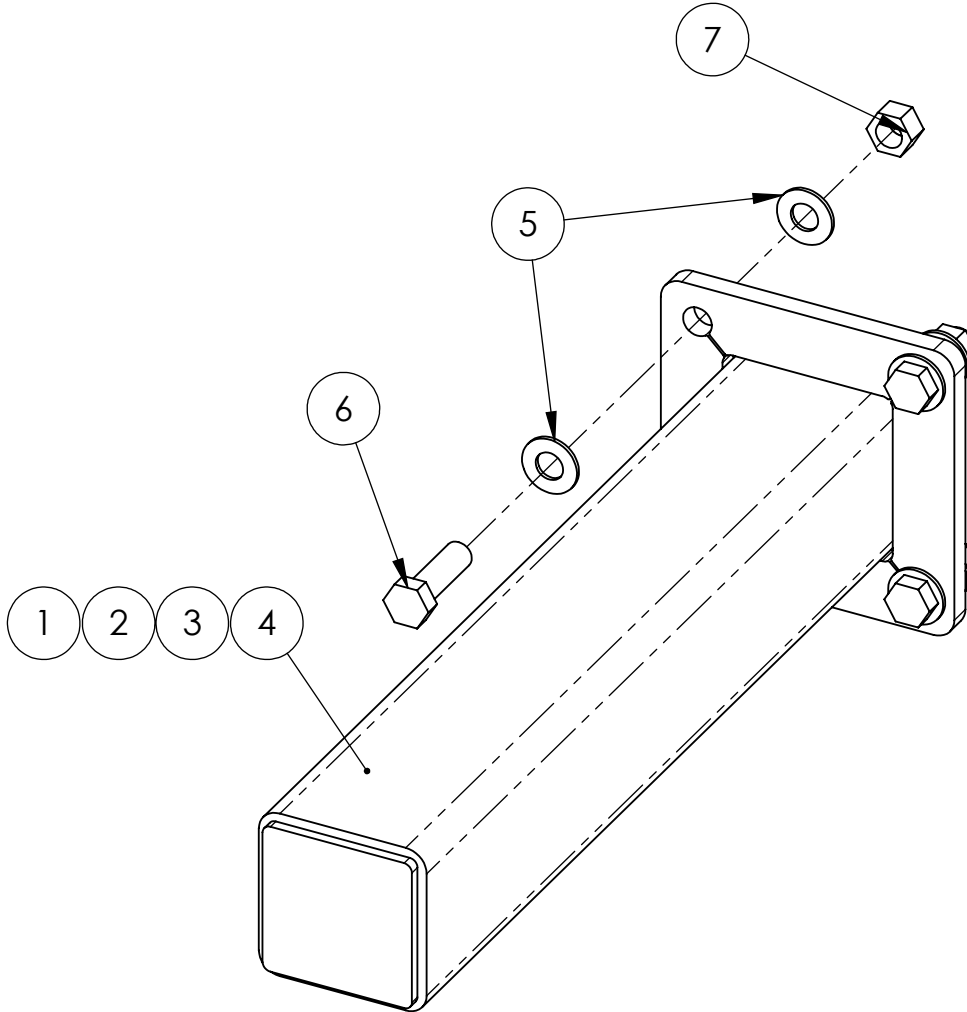
## Leg Assembly, Rear - 14853



ITEM NO.	PART NUMBER	DESCRIPTION	QTY.
1	14854	LEG MOUNT BRACKET	1
2	14852	LEG, STRAW CRIMPER	1
3	10104	WASHER, 5/8 GR8 ZY	4
4	11122	NUT, 5/8-11 SLTL GR8 ZY	2
5	12077	PIN, W/LANYARD, 3/4" X 4"	1
6	14820	BOLT, 5/8-11 X 6.5 GR8 ZY	2
7	14859	PLATE, COULTER MOUNT	1

## Frame Extensions, Single

**5" - 14780, 13" - 14788, 17" - 14787, 21" - 14789**

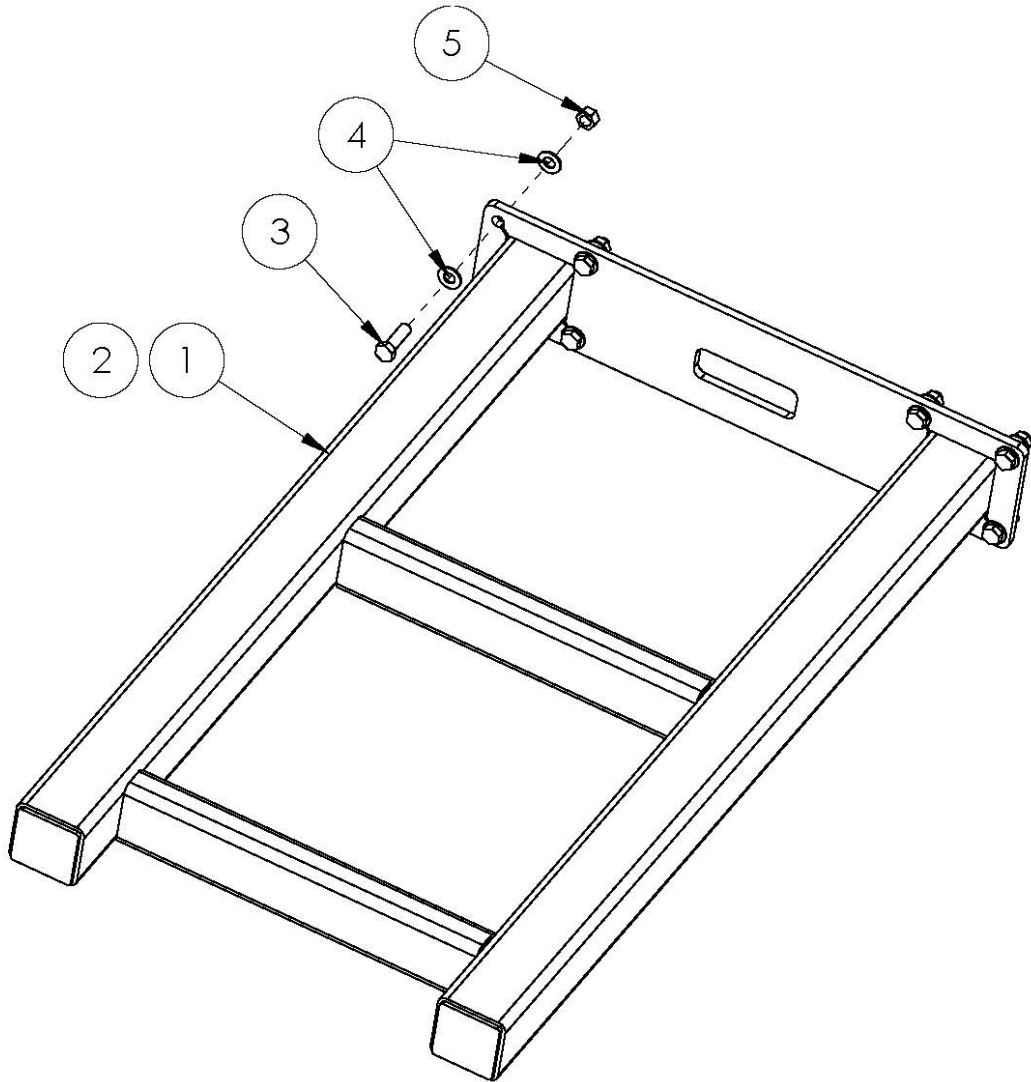


ITEM NO.	PART NUMBER	DESCRIPTION	QTY.
1	11392	FRAME EXTENSION, 5"	1
2	13344	FRAME EXTENSION, 13.5"	1
3	11384	FRAME EXTENSION, 17.5"	1
4	13655	FRAME EXTENSION, 21.5"	1 *
5	10104	WASHER, 5/8 GR8 ZY	8
6	10886	BOLT, 5/8-11 X 2.0 GR8 ZY	4
7	11122	NUT, 5/8-11 SLTL GR8 ZY	4

\* THIS VERSION SHOWN HERE

## Frame Extension, Double

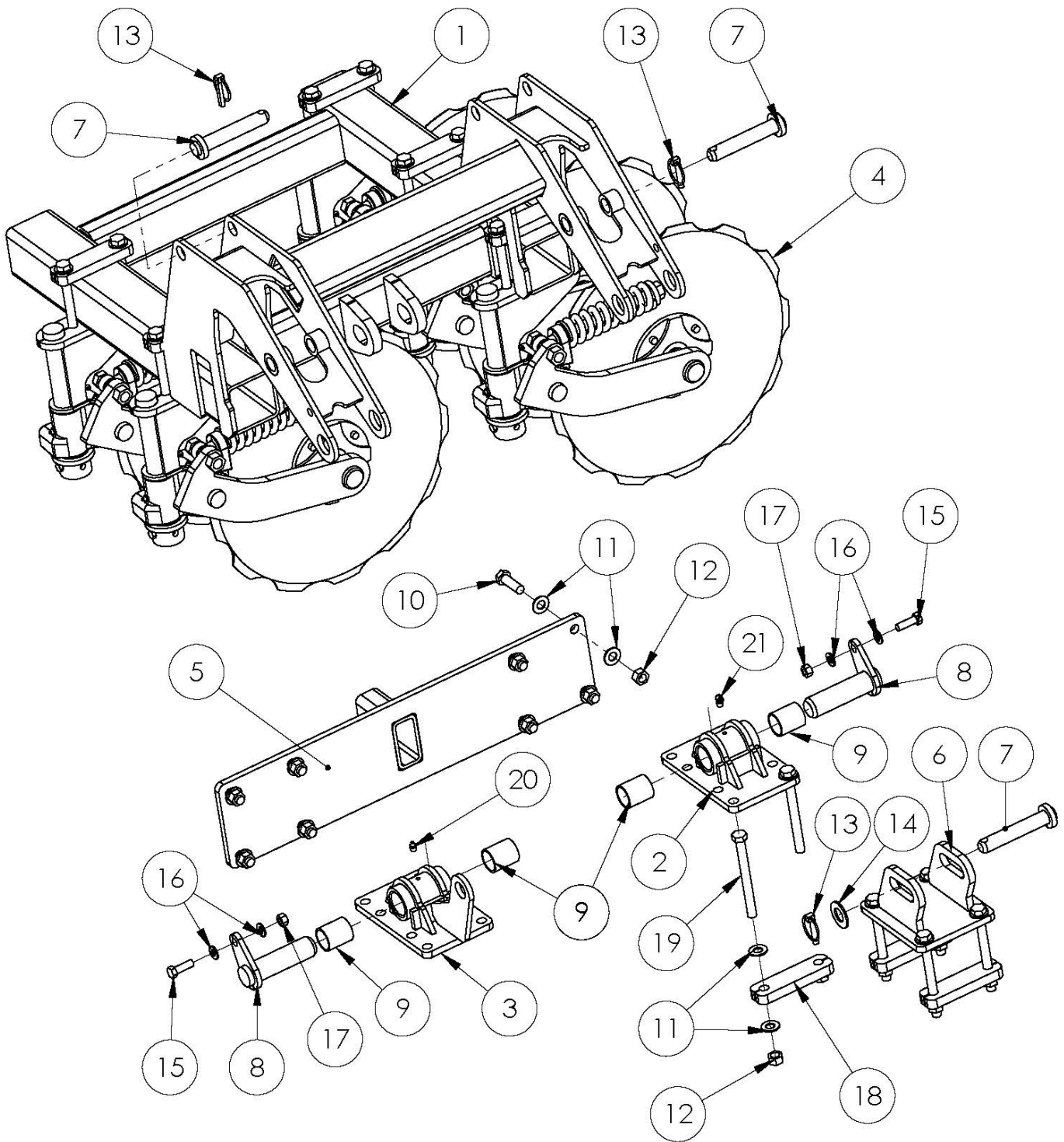
**30" - 14793, 54" - 13576**



ITEM NO.	PART NUMBER	DESCRIPTION	QTY.
1	18903	SCX FRAME EXT, 16' RIGID	1 *
2	18901	SCX FRAME EXT, 12' RIGID	1
3	10886	BOLT, 5/8-11 X 2.0 GR8 ZY	8
4	10104	WASHER, 5/8 GR8 ZY	16
5	11122	NUT, 5/8-11 SLTL GR8 ZY	8

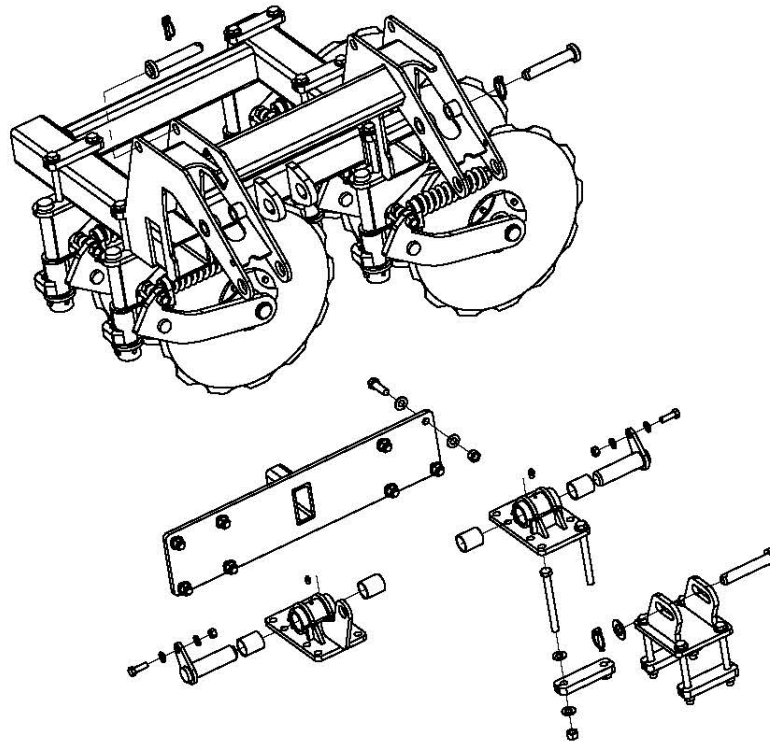
\* THIS VERSION SHOWN HERE

# Wing Assembly, 12' Wide, 6" Spacing - 18262





## Wing Assembly, 12' Wide, 6" Spacing - 18262 (continued)

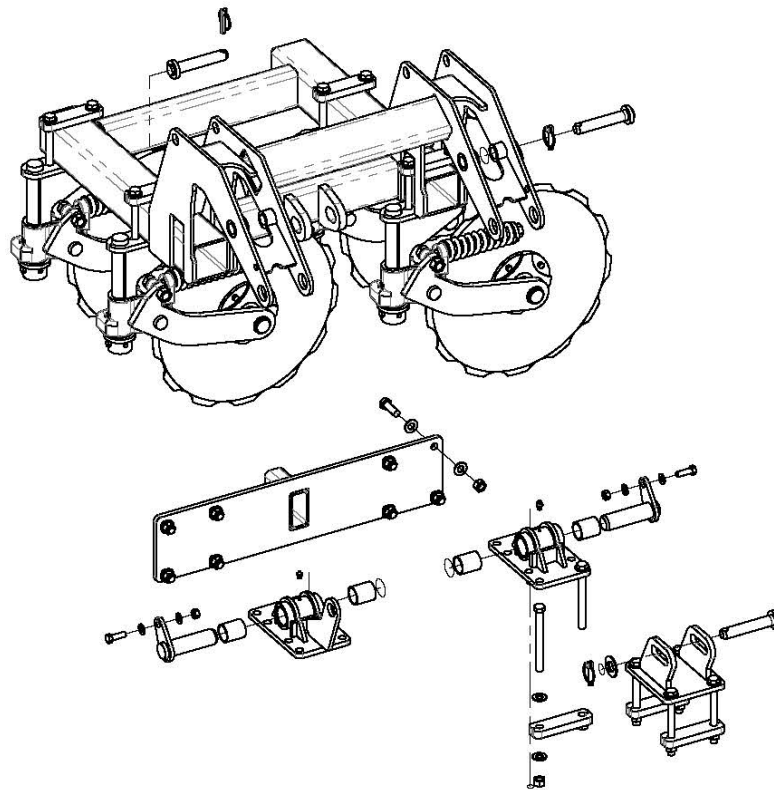


ITEM NO.	PART NUMBER	DESCRIPTION	QTY.
1	18904	CRIMPER WING, 12'	1
2	12164	PIVOT BRACKET, REAR	1
3	12230	PIVOT BRACKET, FRONT	1
4	18250	SCX BLADE ASSY, 2 BOLT	5
5	12724	WING STOP BRACKET	1
6	12198	CYLINDER MOUNT BRACKET	1
7	12723	PIN, 1 X 4.75	3
8	12235	PIVOT PIN	2
9	11086	BUSHING, 1.5ID X 1.75OD X 2.0	4
10	10886	BOLT, 5/8-11 X 2.0 GR8 ZY	8
11	10104	WASHER, 5/8 GR8 ZY	28
12	11122	NUT, 5/8-11 SLTL GR8 ZY	14
13	10123	LINCH PIN, 7/16	3
14	10679	WASHER, 1" SAE GR8 ZY	1
15	10394	BOLT, 1/2-13 X 1.50 GR8 ZY	2
16	10062	WASHER, 1/2 SAE GR8 ZY	4
17	10395	NUT, 1/2-13 GR8 HEX ZY	2
18	14859	PLATE, COULTER MOUNT	3
19	14820	BOLT, 5/8-11 X 6.5 GR8 ZY	6
20	10434	GREASE ZERK, 1/8 NPT ST.	1
21	15101	GREASE ZERK, 1/8" NPT, 90	1



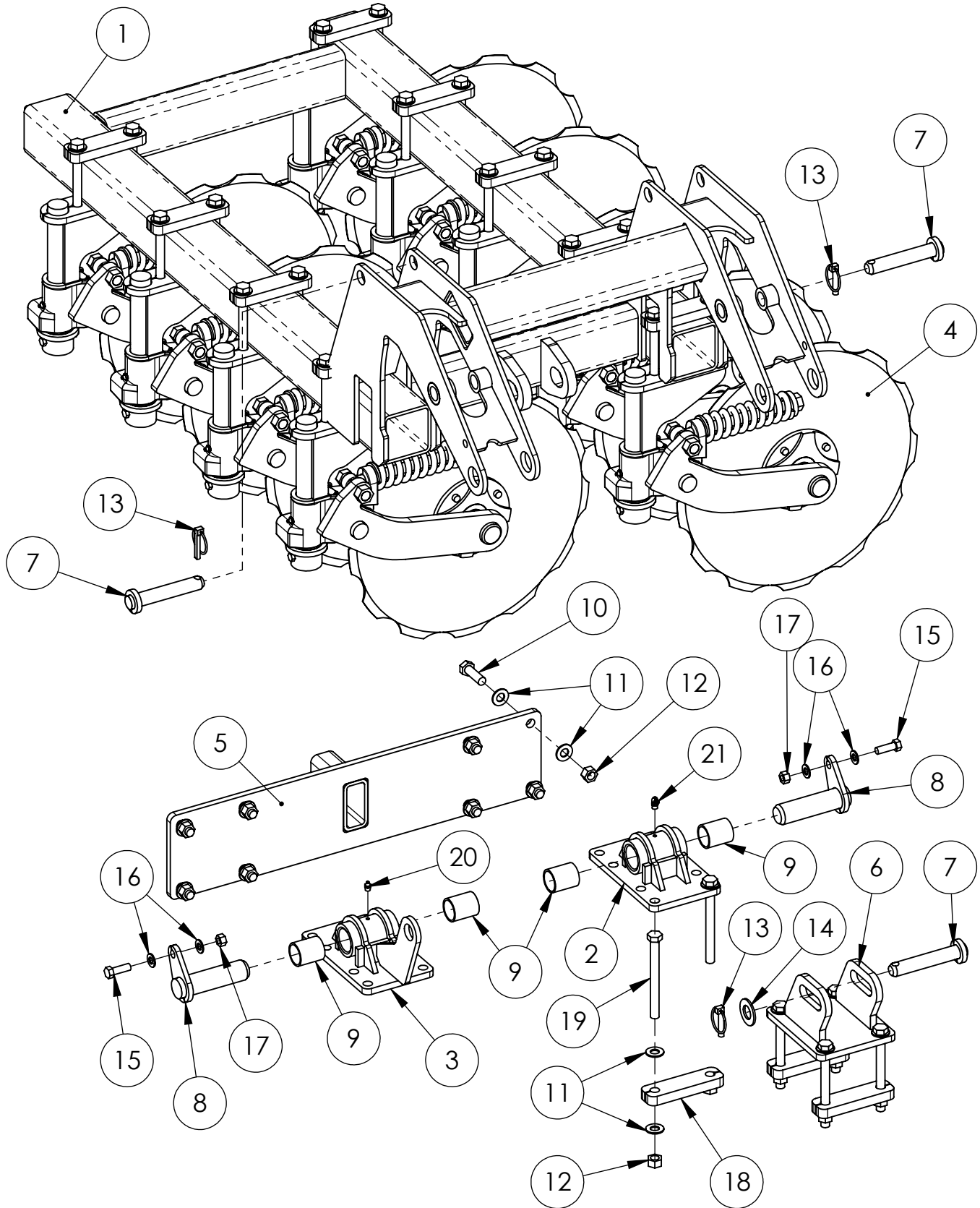


## Wing Assembly, 12' Wide, 8" Spacing - 18263 (continued)

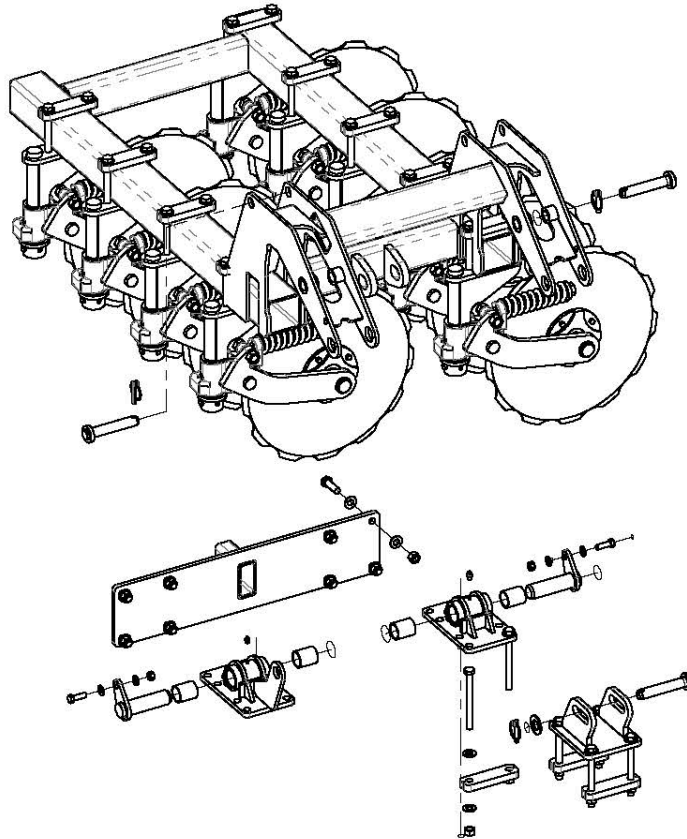


ITEM NO.	PART NUMBER	DESCRIPTION	QTY.
1	18904	CRIMPER WING, 12'	1
2	12164	PIVOT BRACKET, REAR	1
3	12230	PIVOT BRACKET, FRONT	1
4	18250	SCX BLADE ASSY, 2 BOLT	5
5	12724	WING STOP BRACKET	1
6	12198	CYLINDER MOUNT BRACKET	1
7	12723	PIN, 1 X 4.75	3
8	12235	PIVOT PIN	2
9	11086	BUSHING, 1.5ID X 1.75OD X 2.0	4
10	10886	BOLT, 5/8-11 X 2.0 GR8 ZY	8
11	10104	WASHER, 5/8 GR8 ZY	28
12	11122	NUT, 5/8-11 SLTL GR8 ZY	14
13	10123	LINCH PIN, 7/16	3
14	10679	WASHER, 1" SAE GR8 ZY	1
15	10394	BOLT, 1/2-13 X 1.50 GR8 ZY	2
16	10062	WASHER, 1/2 SAE GR8 ZY	4
17	10395	NUT, 1/2-13 GR8 HEX ZY	2
18	14859	PLATE, COULTER MOUNT	3
19	14820	BOLT, 5/8-11 X 6.5 GR8 ZY	6
20	10434	GREASE ZERK, 1/8 NPT ST.	1
21	15101	GREASE ZERK, 1/8" NPT, 90	1

# Wing Assembly, 16' Wide, 6" Spacing - 18264

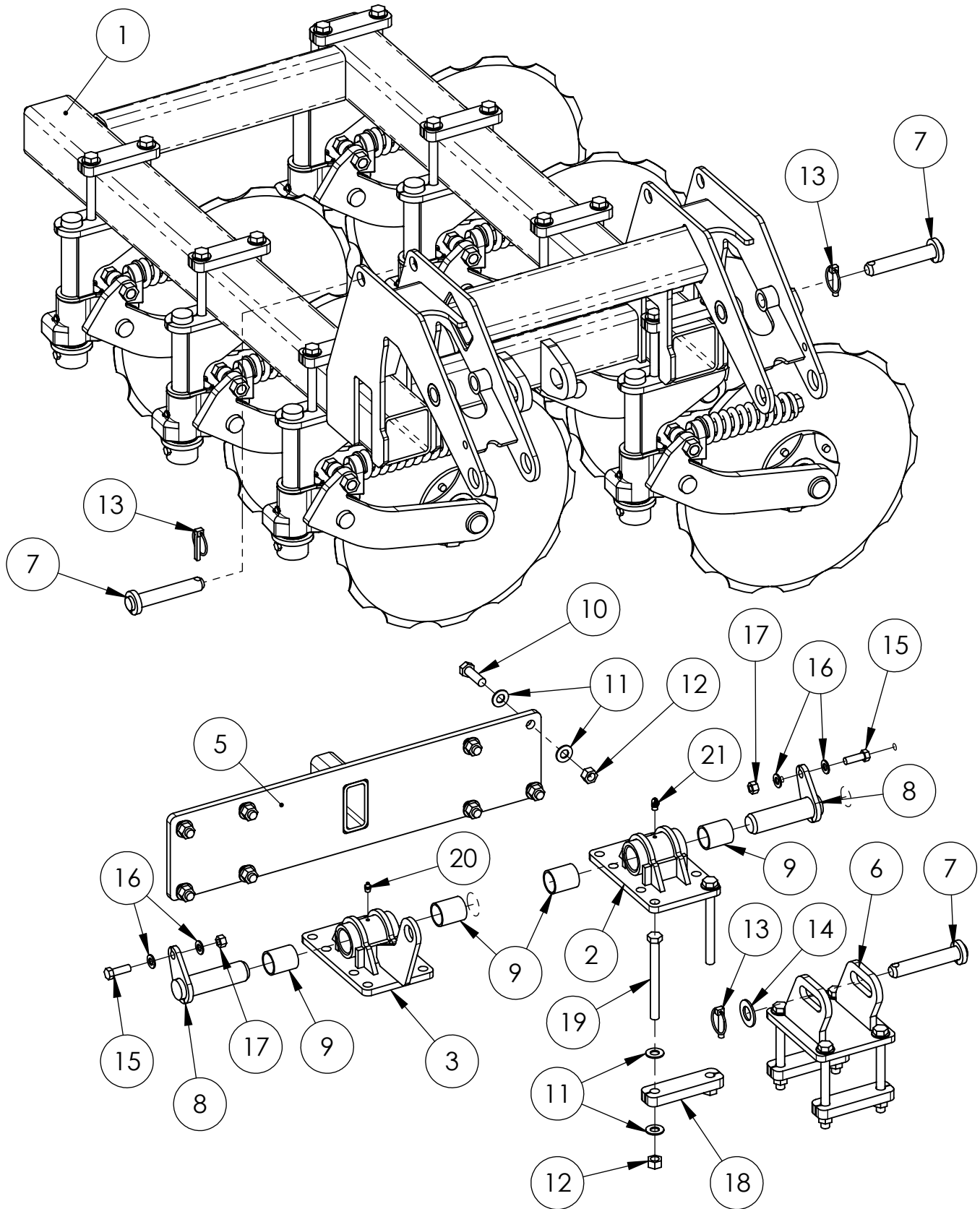


## Wing Assembly, 16' Wide, 6" Spacing - 18264 (continued)

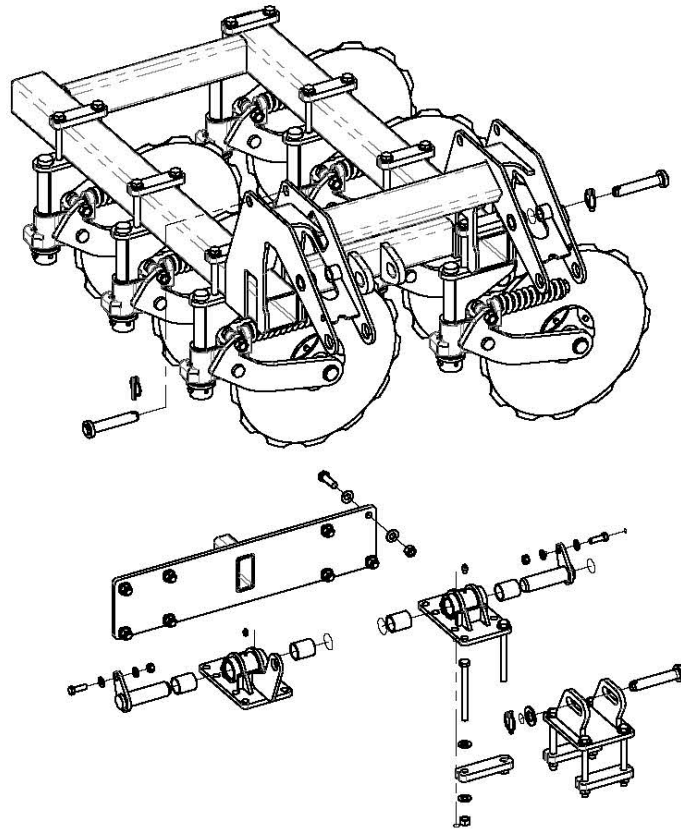


ITEM NO.	PART NUMBER	DESCRIPTION	QTY.
1	18905	CRIMPER WING, 16'	1
2	12164	PIVOT BRACKET, REAR	1
3	12230	PIVOT BRACKET, FRONT	1
4	18250	SCX BLADE ASSY, 2 BOLT	9
5	12724	WING STOP BRACKET	1
6	12198	CYLINDER MOUNT BRACKET	1
7	12723	PIN, 1 X 4.75	3
8	12235	PIVOT PIN	2
9	11086	BUSHING, 1.5ID X 1.75OD X 2.0	4
10	10886	BOLT, 5/8-11 X 2.0 GR8 ZY	8
11	10104	WASHER, 5/8 GR8 ZY	28
12	11122	NUT, 5/8-11 SLTL GR8 ZY	14
13	10123	LINCH PIN, 7/16	3
14	10679	WASHER, 1" SAE GR8 ZY	1
15	10394	BOLT, 1/2-13 X 1.50 GR8 ZY	2
16	10062	WASHER, 1/2 SAE GR8 ZY	4
17	10395	NUT, 1/2-13 GR8 HEX ZY	2
18	14859	PLATE, COULTER MOUNT	3
19	14820	BOLT, 5/8-11 X 6.5 GR8 ZY	6
20	10434	GREASE ZERK, 1/8 NPT ST.	1
21	15101	GREASE ZERK, 1/8" NPT, 90	1

# Wing Assembly, 16' Wide, 8" Spacing - 18265



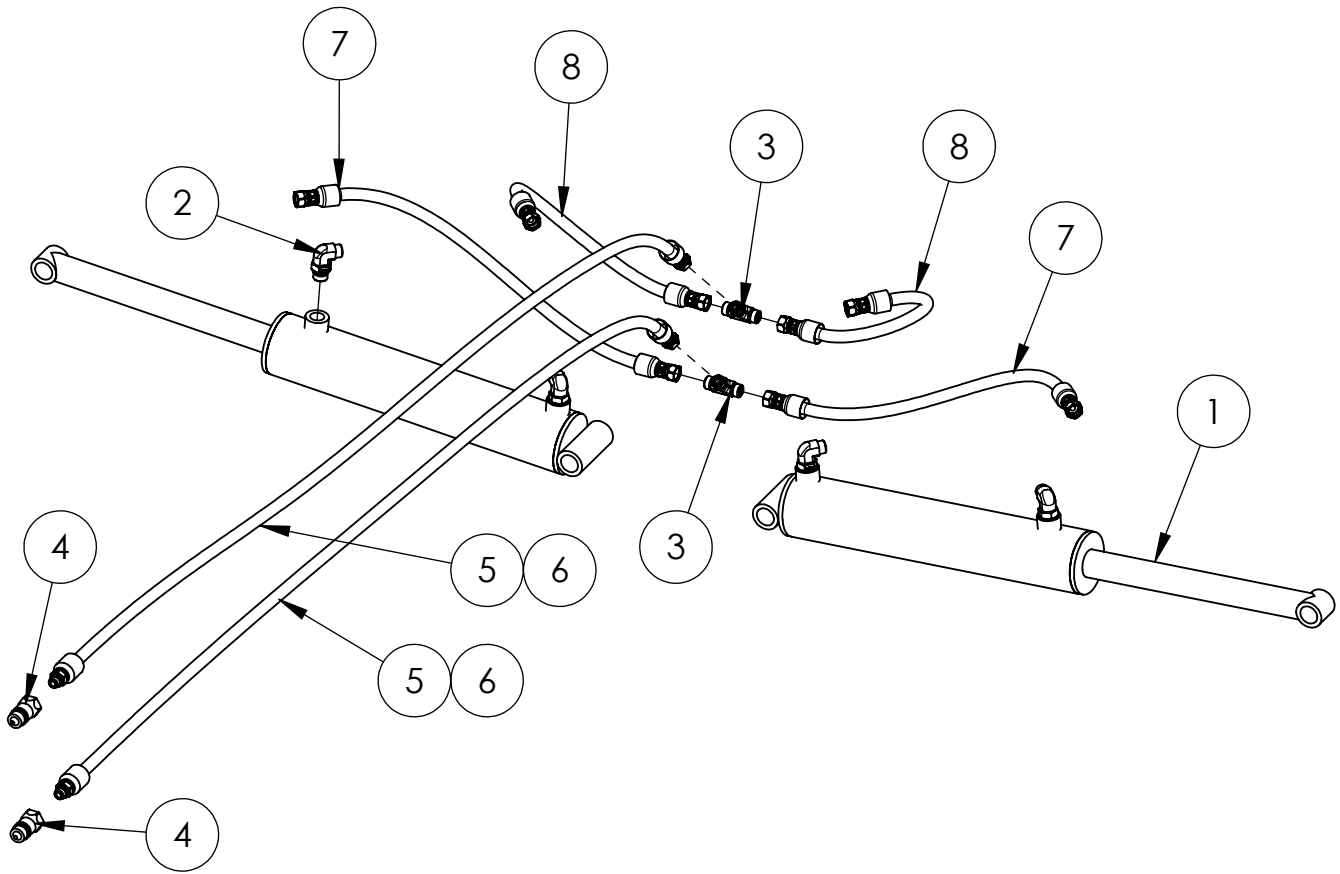
## Wing Assembly, 16' Wide, 8" Spacing - 18265 (continued)



ITEM NO.	PART NUMBER	DESCRIPTION	QTY.
1	18905	CRIMPER WING, 16'	1
2	12164	PIVOT BRACKET, REAR	1
3	12230	PIVOT BRACKET, FRONT	1
4	18250	SCX BLADE ASSY, 2 BOLT	7
5	12724	WING STOP BRACKET	1
6	12198	CYLINDER MOUNT BRACKET	1
7	12723	PIN, 1 X 4.75	3
8	12235	PIVOT PIN	2
9	11086	BUSHING, 1.5ID X 1.75OD X 2.0	4
10	10886	BOLT, 5/8-11 X 2.0 GR8 ZY	8
11	10104	WASHER, 5/8 GR8 ZY	28
12	11122	NUT, 5/8-11 SLTL GR8 ZY	14
13	10123	LINCH PIN, 7/16	3
14	10679	WASHER, 1" SAE GR8 ZY	1
15	10394	BOLT, 1/2-13 X 1.50 GR8 ZY	2
16	10062	WASHER, 1/2 SAE GR8 ZY	4
17	10395	NUT, 1/2-13 GR8 HEX ZY	2
18	14859	PLATE, COULTER MOUNT	3
19	14820	BOLT, 5/8-11 X 6.5 GR8 ZY	6
20	10434	GREASE ZERK, 1/8 NPT ST.	1
21	15101	GREASE ZERK, 1/8" NPT, 90	1



## Wing Assemblies' Hydraulics - 14908



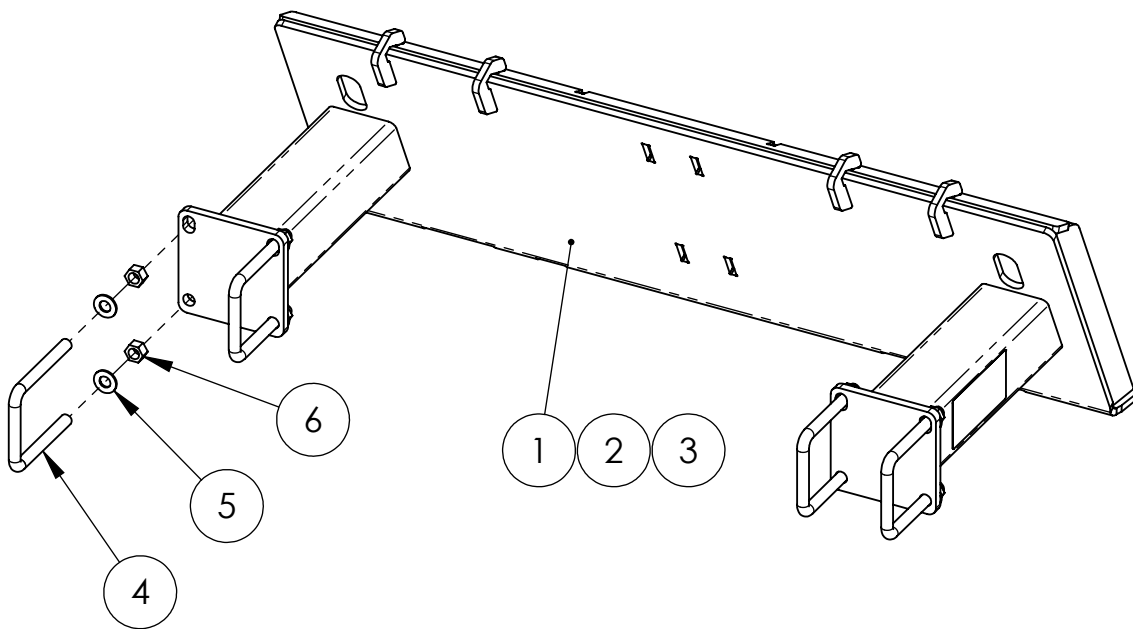
ITEM NO.	PART NUMBER	DESCRIPTION	QTY.
1	14847	HYD CYL, 3 X 12 X 1.5	2
2	13533	FITTING, 6M ORFS X 8M ORB 90, RST	4
3	13534	FITING, 6M ORFS UNION TEE	2
4	10540	AG QUICK COUPLER, 8F ORB	2
5	13652	HYD HOSE, 3/8" X 74", ST-ST	2 *
6	13532	HYD HOSE, 3/8" X 177", ST-ST	2 *
7	13653	HYD HOSE, 3/8" X 22", ST-ST	2
8	13654	HYD HOSE, 3/8" X 18", ST-ST	2

\* USE PART NUMBER 13652 FOR STRAW CRIMPERS WITHOUT WHEELS

\* USE PART NUMBER 13532 FOR STRAW CRIMPERS WITH WHEELS

## Skid Steer Mounts

**6" Spacing - 14783, 8" Spacing - 14782, Offset Spacing - 14784**



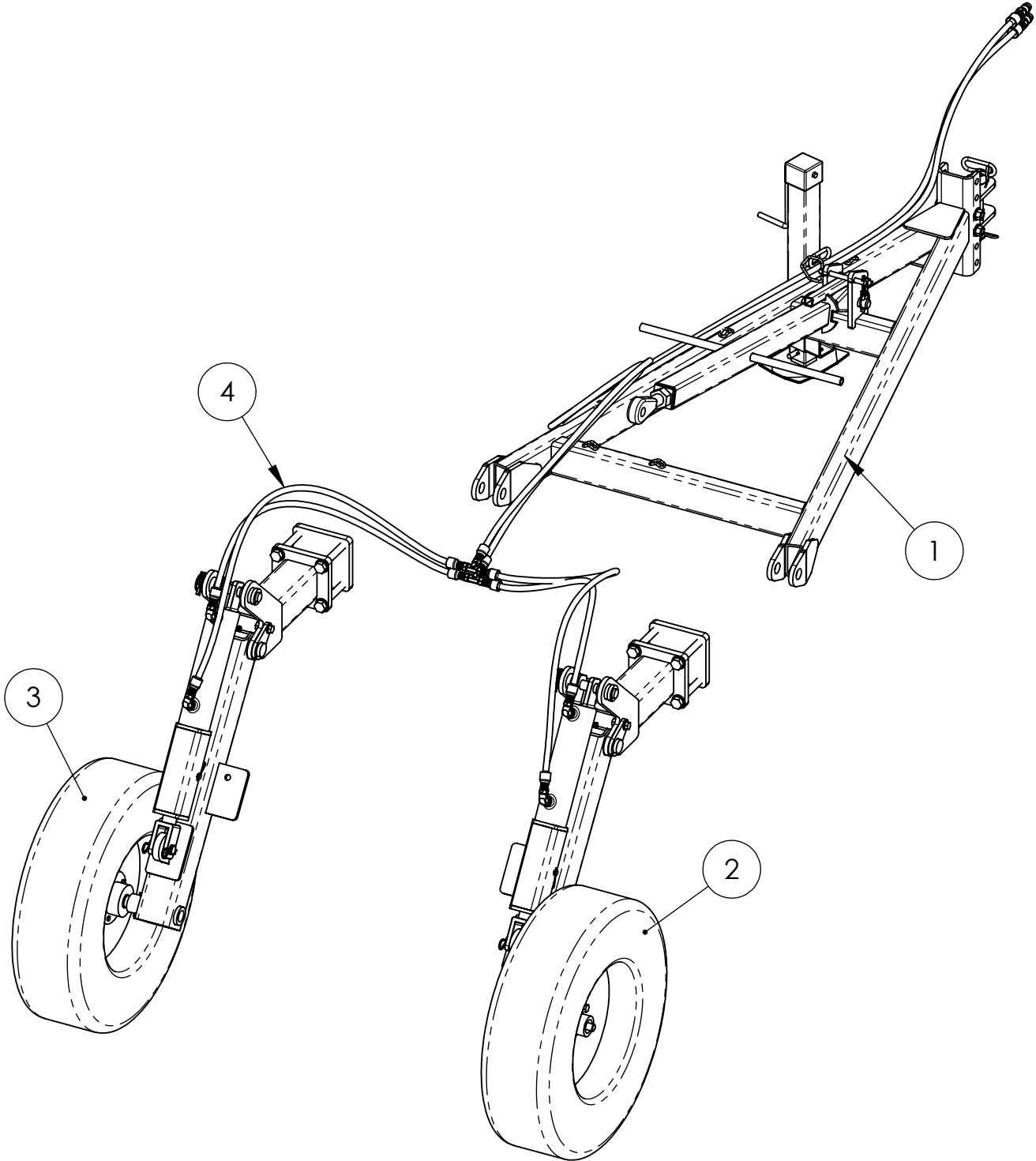
ITEM NO.	PART NUMBER	DESCRIPTION	QTY.
1	13505	SKID STEER MOUNT, SCX 6"	1 *
2	12581	SKID STEER MOUNT, SCX 8"	1 *
3	13911	SKID MOUNT, SCX OFFSET	1 *
4	11370	U-BOLT, 5/8 X 4 X 5.5	4
5	10104	WASHER, 5/8 GR8 ZY	8
6	11122	NUT, 5/8-11 SLTL GR8 ZY	8

\* USE PART NUMBER 13505 FOR CRIMPERS WITH 6" DISK SPACING

\* USE PART NUMBER 12581 FOR CRIMPERS WITH 8" DISK SPACING

\* USE PART NUMBER 13911 FOR CRIMPERS WITH OFFSET SPACING

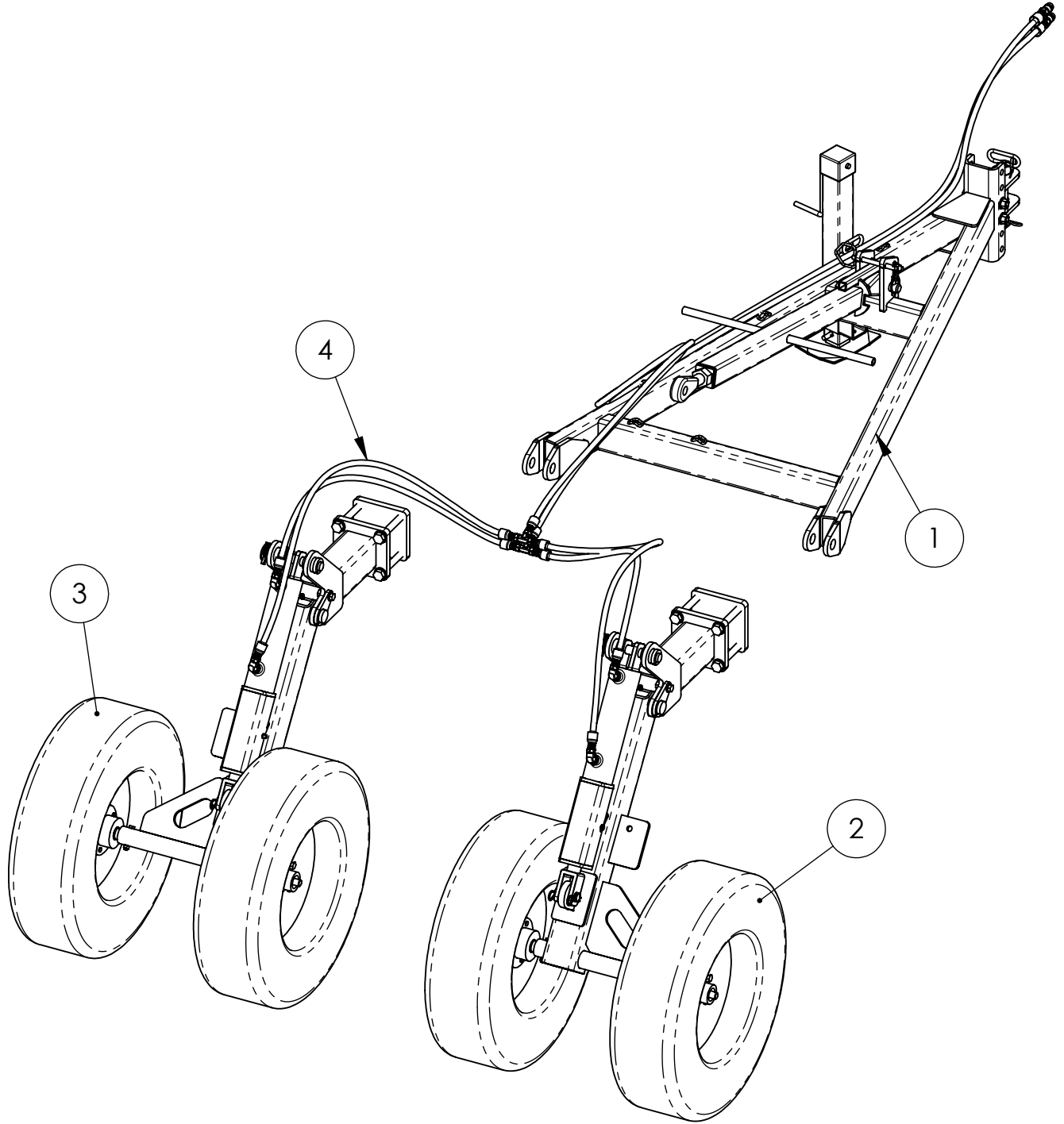
## Tongue and Single Wheel Kit - 14849



ITEM NO.	PART NUMBER	DESCRIPTION	QTY.
1	14850	TONGUE AND HITCH ASSY	1
2	14786	WHEEL ASSY RIGHT	1
3	14848	WHEEL ASSY LEFT	1
4	14909	HYD ASSY, SCX WHEEL KIT	1

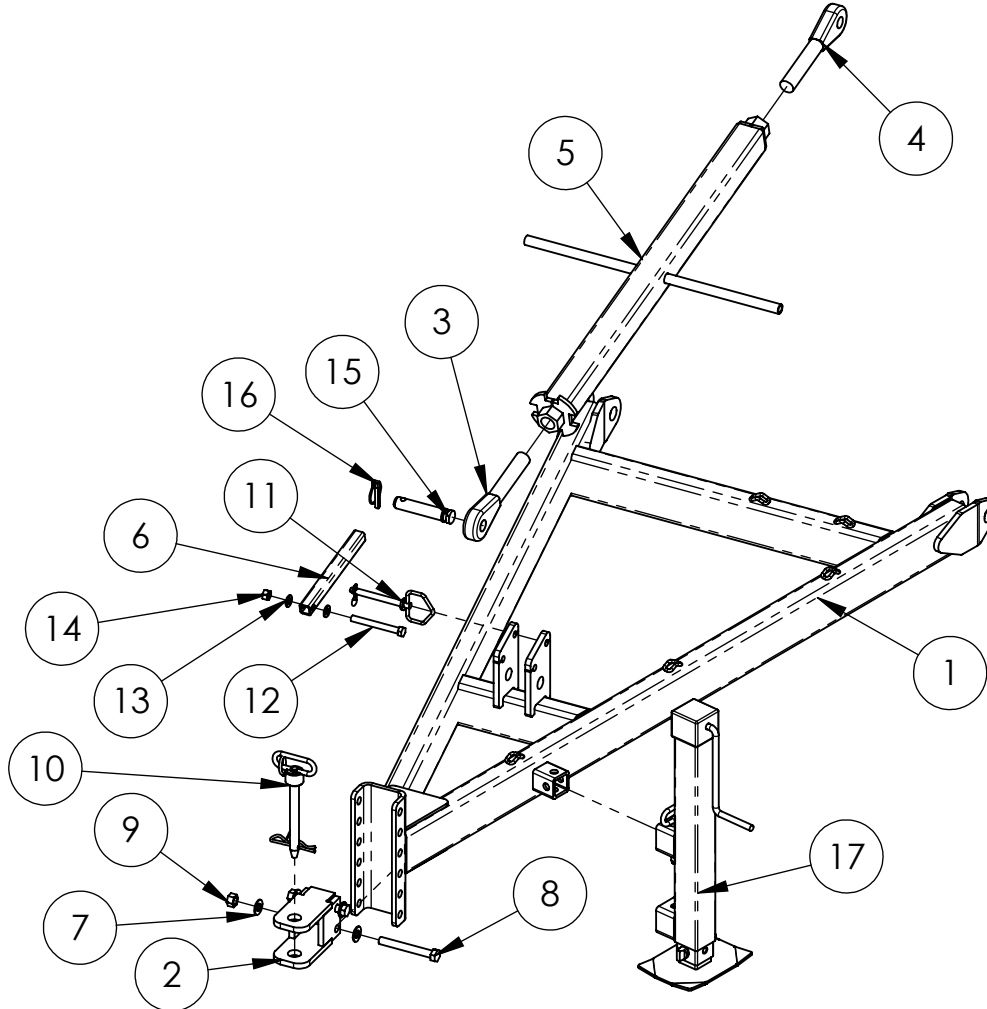


## Tongue and Double Wheel Kit - 15098



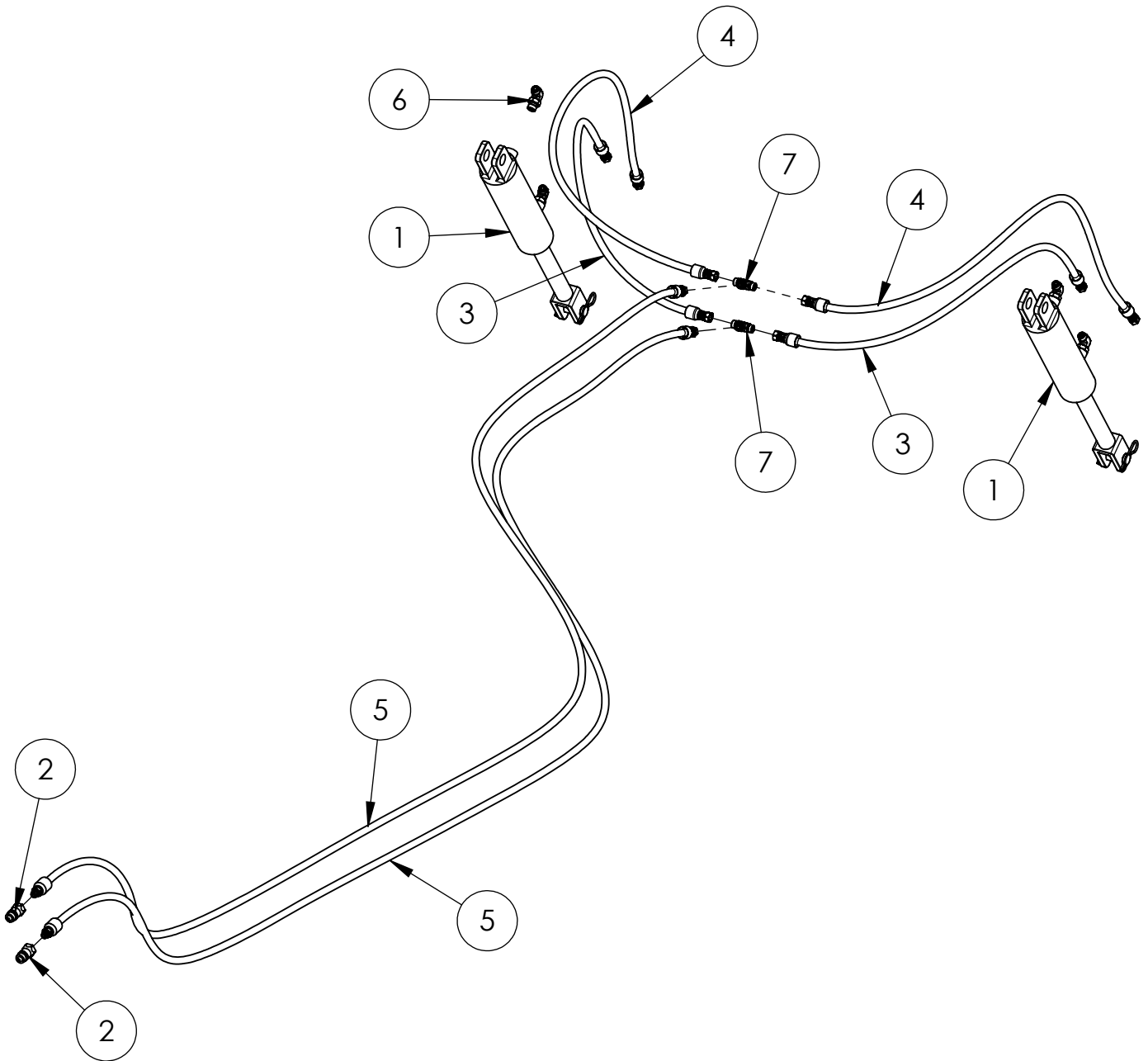
ITEM NO.	PART NUMBER	DESCRIPTION	QTY.
1	14850	TONGUE AND HITCH ASSY	1
2	15099	DOUBLE WHEEL ASSY RIGHT	1
3	15097	DOUBLE WHEEL ASSY LEFT	1
4	14909	HYD ASSY, SCX WHEEL KIT	1

## Tongue Assembly - 14850



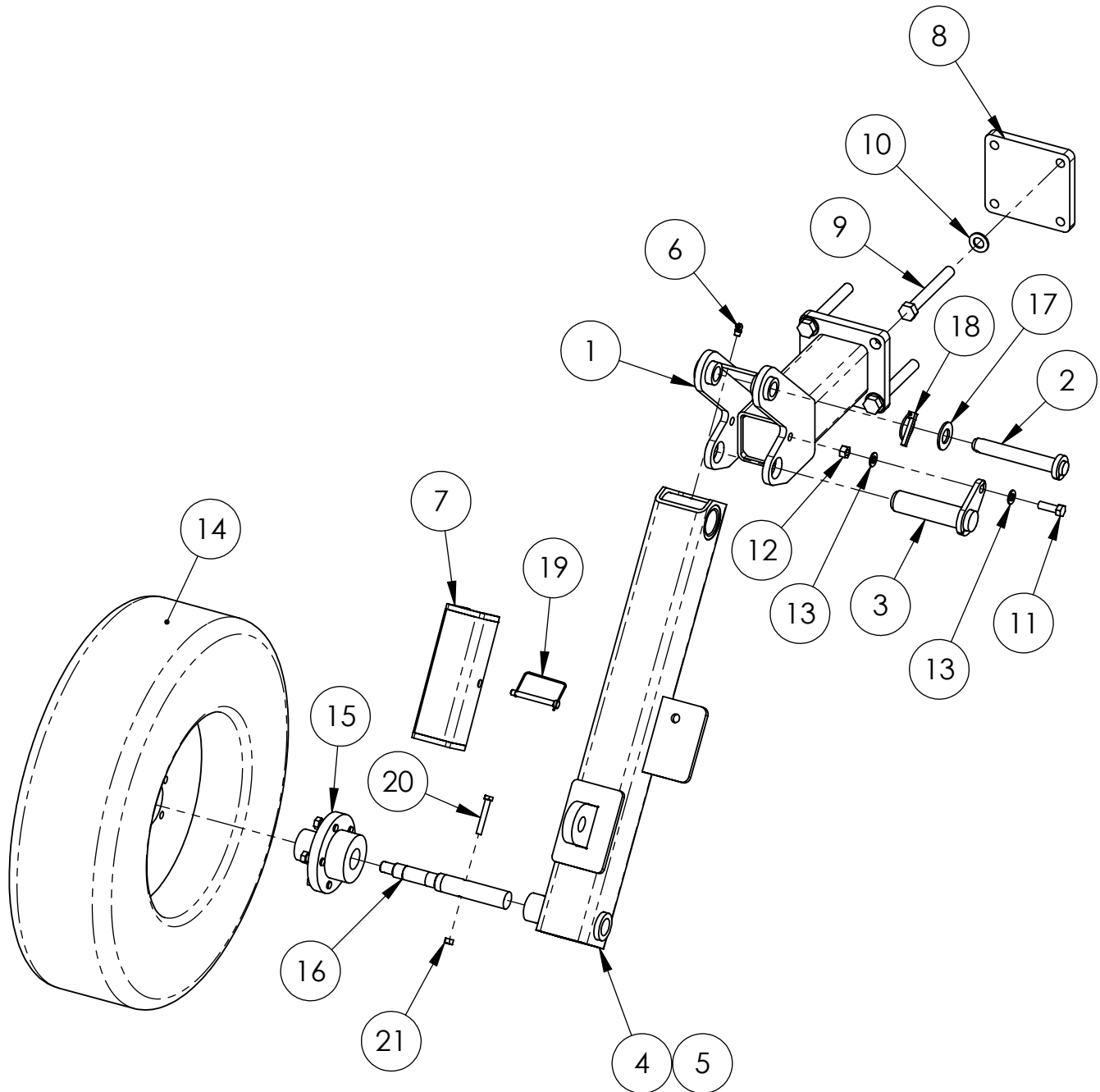
ITEM NO.	PART NUMBER	DESCRIPTION	QTY.
1	12935	HITCH, SCX PULL	1
2	12938	HITCH, DRAWBAR	1
3	12940	TOP LINK END, RH	1
4	12941	TOP LINK END, LH	1
5	12946	HITCH TOP LINK	1
6	12950	TUBE, TOP LINK LOCK	1
7	10104	WASHER, 5/8 GR8 ZY	4
8	13579	BOLT, 5/8-11 X 5.0 GR8 ZY	2
9	11968	NUT, 5/8-11 GR8 ZY	2
10	12078	HITCHPIN & LANYARD .75 X 6.5	1
11	11171	PIN - 1/2 X 4 1/4 HITCH	1
12	11127	BOLT - 1/2-13 X 4.50 GR8 ZY	1
13	10062	WASHER, 1/2 SAE GR8 ZY	2
14	10395	NUT, 1/2-13 GR8 HEX ZY	1
15	10121	PIN - CAT II TOP, 3 POINT	1
16	10123	LINCH PIN, 7/16	1
17	14456	JACK, 8K SIDE WIND MOUNT	1

## Wheel Assemblies' Hydraulics - 14909

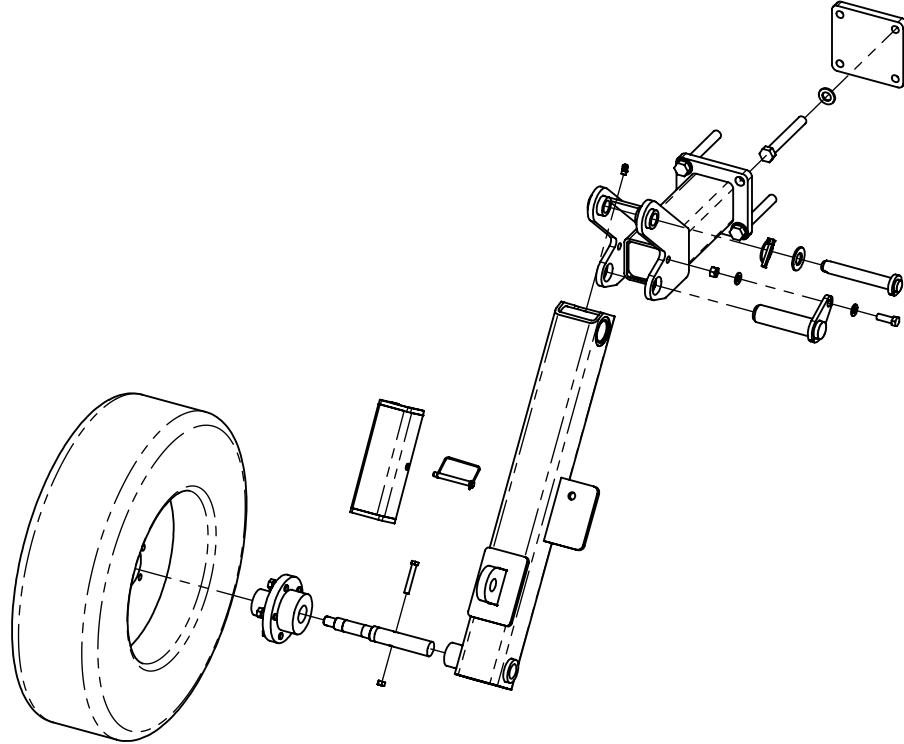


ITEM NO.	PART NUMBER	DESCRIPTION	QTY.
1	13076	HYD CYL, 3 X 8 ASAE	2
2	10540	AG QUICK COUPLER, 8F ORB	2
3	13530	HYD HOSE, 3/8" X 36", 6 ORFS ST	2
4	13531	HYD HOSE, 3/8" X 48", 6 ORFS ST	2
5	13532	HYD HOSE, 3/8" X 177", 6 ORFS X 8 ORB	2
6	13533	FITTING, 6M ORFS X 8M ORB 90, RST	4
7	13534	FITTING, 6M ORFS UNION TEE	2

# Single Wheel Assembly, Left - 14848, Right - 14786



## Single Wheel Assy, Left - 14848, Right - 14786 (continued)

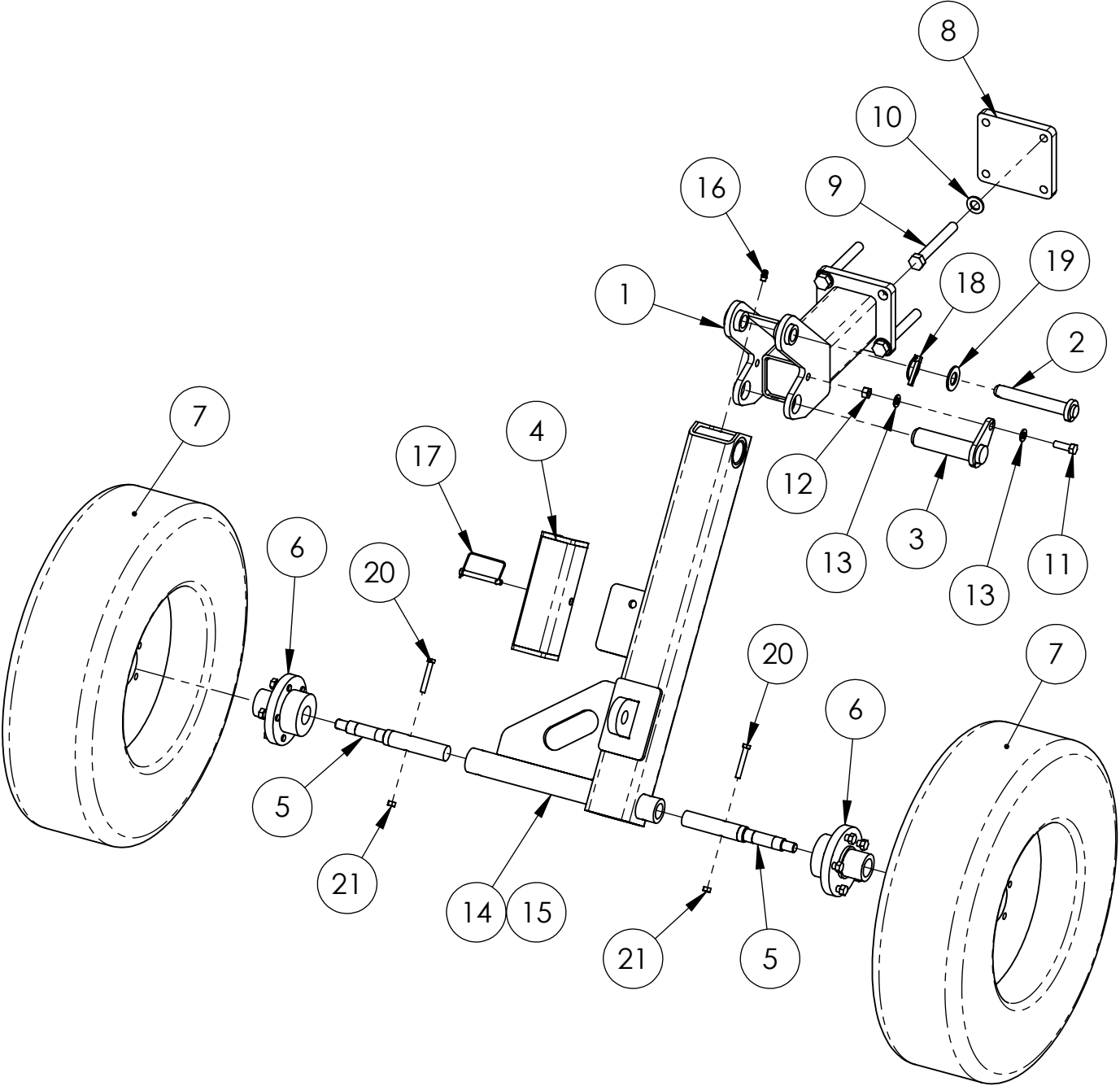


ITEM NO.	PART NUMBER	DESCRIPTION	QTY.
1	13516	WHEEL MOUNT	1
2	13080	PIN, 1" X 6"	1
3	13078	PIVOT PIN, 1.5 X 5.5	1
4	12966	WHEEL MOUNT, LEFT	1
5	12961	WHEEL MOUNT, RIGHT	1
6	15101	GREASE ZERK, 1/8" NPT, 90	1
7	13522	BRACKET, CYL STOP, 8 ASAE	1
8	13518	PLATE, WHEEL BOLT	1
9	13517	BOLT, 3/4-10 X 6.0 GR8 ZY	4
10	10107	WASHER, 3/4 GR8 ZY	4
11	10394	BOLT, 1/2-13 X 1.50 GR8 ZY	1
12	10395	NUT, 1/2-13 GR8 HEX ZY	1
13	10062	WASHER, 1/2 SAE GR8 ZY	2
14	15102	TIRE, 7.60-15SL, 28.5" OD	1
15	12301	WHEEL HUB ASSY, 5-BOLT	1
16	15026	SPINDLE, 5 BOLT, 4.5" HUB	1
17	10679	WASHER, 1" SAE GR8 ZY	1
18	10123	LINCH PIN, 7/16	1
19	10122	PTO PIN - 3/8 X 3.00	1
20	10690	BOLT, 3/8-16 X 2.5 GR8 ZY	1
21	10947	NUT, 3/8-16 SLTL GR8 ZY	1

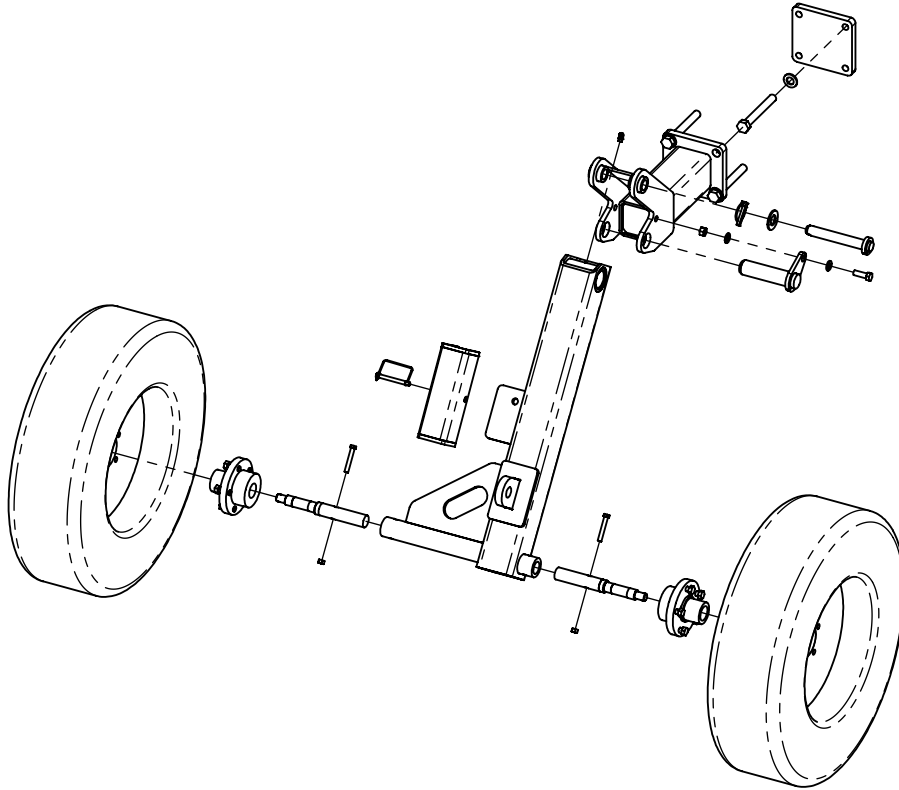
\* USE PART NUMBER 12966 FOR LEFT WHEEL MOUNT

\* USE PART NUMBER 12961 FOR RIGHT WHEEL MOUNT

**Double Wheel Assembly, Left - 15097, Right - 15099**



## Double Wheel Assy, Left - 15097, Right - 15099 (continued)



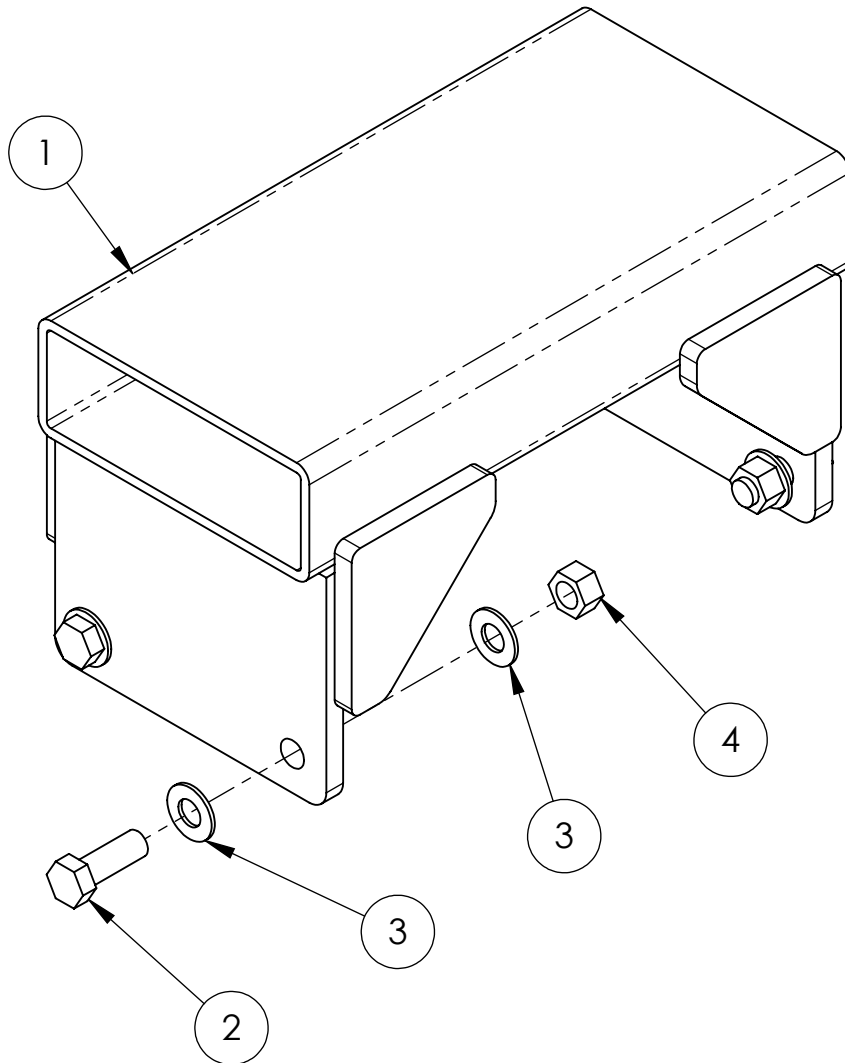
ITEM NO.	PART NUMBER	DESCRIPTION	QTY.
1	13516	WHEEL MOUNT	1
2	13080	PIN, 1" X 6"	1
3	13078	PIVOT PIN, 1.5 X 5.5	1
4	13522	BRACKET, CYL STOP, 8 ASAE	1
5	15026	SPINDLE, 5 BOLT, 4.5" HUB	2
6	12301	WHEEL HUB ASSY, 5-BOLT	2
7	15102	TIRE, 7.60-15SL, 28.5" OD	2
8	13518	PLATE, WHEEL BOLT	1
9	13517	BOLT, 3/4-10 X 6.0 GR8 ZY	4
10	10107	WASHER, 3/4 GR8 ZY	4
11	10394	BOLT, 1/2-13 X 1.50 GR8 ZY	1
12	10395	NUT, 1/2-13 GR8 HEX ZY	1
13	10062	WASHER, 1/2 SAE GR8 ZY	2
14	14920	WHEEL MOUNT, LEFT DOUBLE	1
15	14921	WHEEL MOUNT, RIGHT DOUBLE	1
16	15101	GREASE ZERK, 1/8" NPT, 90	1
17	10122	PTO PIN - 3/8 X 3.00	1
18	10123	LINCH PIN, 7/16	1
19	10679	WASHER, 1" SAE GR8 ZY	1
20	10690	BOLT, 3/8-16 X 2.5 GR8 ZY	2
21	10947	NUT, 3/8-16 SLTL GR8 ZY	2

\* USE PART NUMBER 14920 FOR LEFT WHEELS' MOUNT

\* USE PART NUMBER 14921 FOR RIGHT WHEELS' MOUNT

## Fork Pockets - 17984

---



ITEM NO.	PART NUMBER	DESCRIPTION	QTY.
1	17985	FORK POCKET, SCX	1
2	12258	BOLT, 5/8-11 X 1.75 GR8 ZY	4
3	10104	WASHER, 5/8 GR8 ZY	8
4	11122	NUT, 5/8-11 SLTL GR8 ZY	4



